

Council Directive of 26 July 1971 on the approximation of the laws of the Member States relating to 5 to 50 kilogramme medium accuracy rectangular bar weights and 1 to 10 kilogramme medium accuracy cylindrical weights (71/317/EEC) (repealed)

Status: This is the original version (as it was originally adopted).

ANNEX IV
CYLINDRICAL WEIGHTS

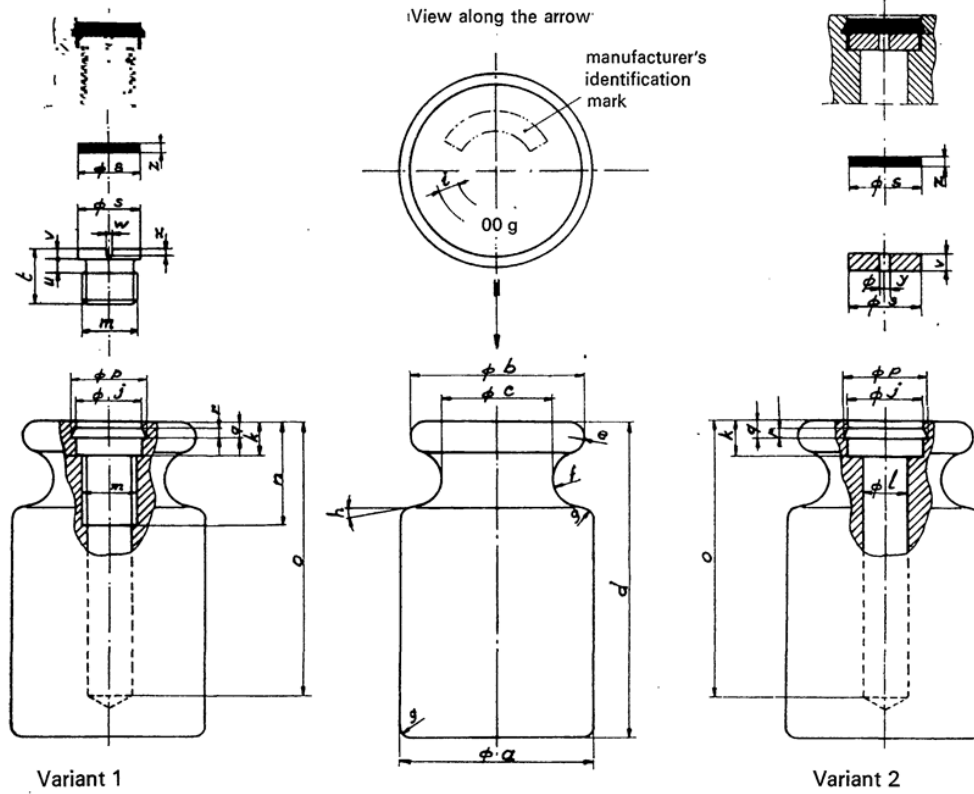


Table of dimensions in millimetres, ISO/R 261 threads

nominal value	a	b	c	d	e	f	g	h	i	j	k	l	m	n	o	p	q	r	s	t	u	v	w	x	y	z		
1 g	6	5.5	3	According to material	0.5	0.9	0.5	—	1	}																		
2 g	6	5.5	3		0.5	0.9	0.5	—	1																			
5 g	8	7	4.5		0.7	1.25	0.5	—	1		without adjustment cavity																	
10 g	10	9	6		0.8	1.5	0.5	—	1																			
20 g	13	11.5	7.5		1	1.8	0.5	10°	1.5																			
20 g	13	11.5	7.5	1	1.8	0.5	10°	1.5	5.5	2.5	3	M 4×0.5	9	18	6.5	1.5	1	5	5	1	1	0.5	0.5	1	1			
50 g	18	16	10	1.5	2.5	1	10°	2		without adjustment cavity																		
50 g	18	16	10	1.5	2.5	1	10°	2	7.5	3.5	4.5	M 6×0.5	10	25	9	2	1	7	5	1	1.5	0.75	0.75	1.5	1.5			
100 g	22	20	13	2	3.5	1	10°	2	7.5	3.5	4.5	M 6×0.5	10	30	9	2	1	7	5	1	1.5	0.75	0.75	1.5	1.5			
200 g	28	25	16	2.25	4	1.5	10°	3.2	10.5	4.5	7	M 8×1	15	40	12	2.5	1.5	10	8	2	2	0.75	1	1.5	2			
500 g	38	34	22	3	5.5	1.5	10°	3.2	10.5	4.5	7	M 8×1	15	50	12	2.5	1.5	10	8	2	2	0.75	1	1.5	2			
1 kg	48	43	27	4	7	2	10°	5	18.5	7	12	M14×1.5	20	65	20	4	2.5	18	13	3	3	1	1.5	1.5	3			
2 kg	60	54	36	5	9	2	10°	5	18.5	7	12	M14×1.5	20	80	20	4	2.5	18	13	3	3	1	1.5	1.5	3			
5 kg	80	72	46	6.5	12	2	10°	10	24.5	8	18	M20×1.5	35	120	26.5	4	2.5	24	18	3	4	1.5	2	1.5	3			
10 kg	100	90	58	8.5	15	3	10°	10	24.5	8	18	M20×1.5	35	160	26.5	4	2.5	24	18	3	4	1.5	2	1.5	3			