
Changes to legislation: There are currently no known outstanding effects for the Council Regulation (EEC) No 3821/85, Division 1.. (See end of Document for details)

Council Regulation (EEC) No 3821/85 of 20 December
1985 on recording equipment in road transport

Changes to legislation: There are currently no known outstanding effects for the Council Regulation (EEC) No 3821/85, Division 1.. (See end of Document for details)

[^{F1}]^{F2}ANNEX I B

REQUIREMENTS FOR CONSTRUCTION, TESTING, INSTALLATION AND INSPECTION

Textual Amendments

- F1** Inserted by Council Regulation (EC) No 2135/98 of 24 September 1998 amending Regulation (EEC) No 3821/85 on recording equipment in road transport and Directive 88/599/EEC concerning the application of Regulations (EEC) No 3820/85 and (EEC) No 3821/85.
- F2** Substituted by Commission Regulation (EC) No 1360/2002 of 13 June 2002 adapting for the seventh time to technical progress Council Regulation (EEC) No 3821/85 on recording equipment in road transport (Text with EEA relevance).

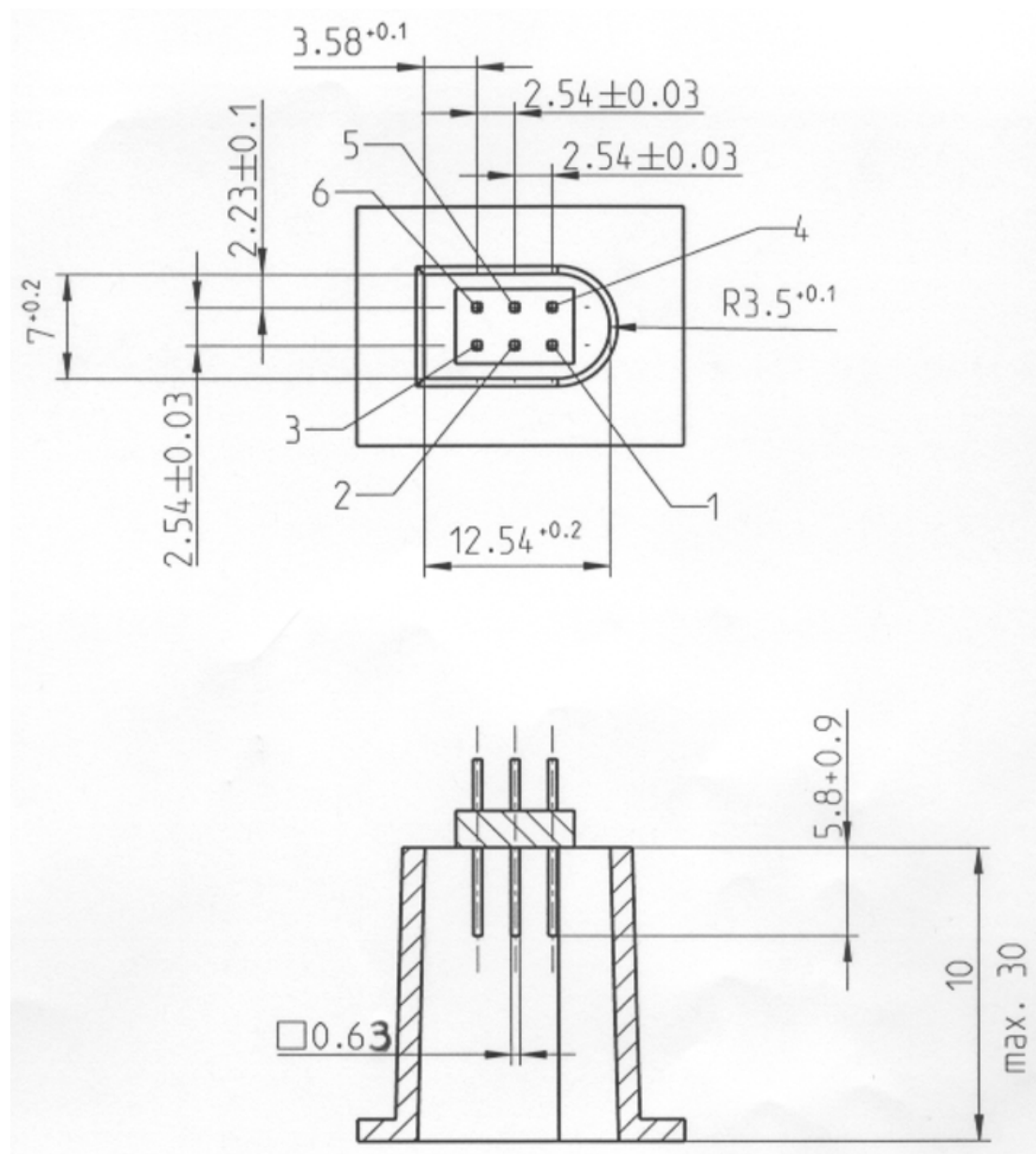
Appendix 6

EXTERNAL INTERFACES

1. HARDWARE

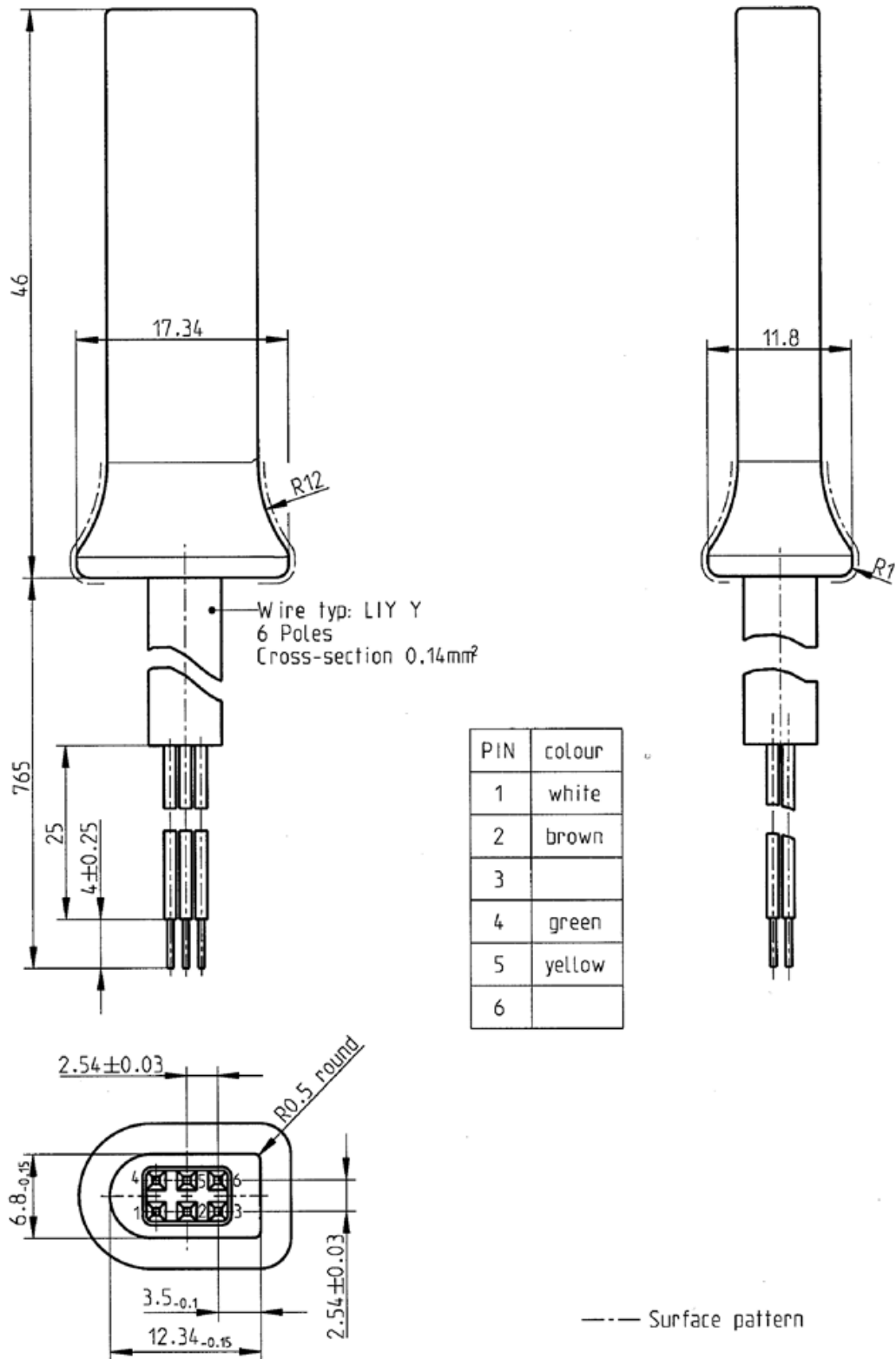
1.1. Connector

The downloading/calibration connector shall be a six pin connector, accessible on the front panel without the need to disconnect any part of the recording equipment, and shall comply with the following drawing (all dimensions in millimetres):



The following diagram shows a typical six pin mating plug:

Changes to legislation: There are currently no known outstanding effects for the Council Regulation (EEC) No 3821/85, Division 1.. (See end of Document for details)



1.2. Contact allocation

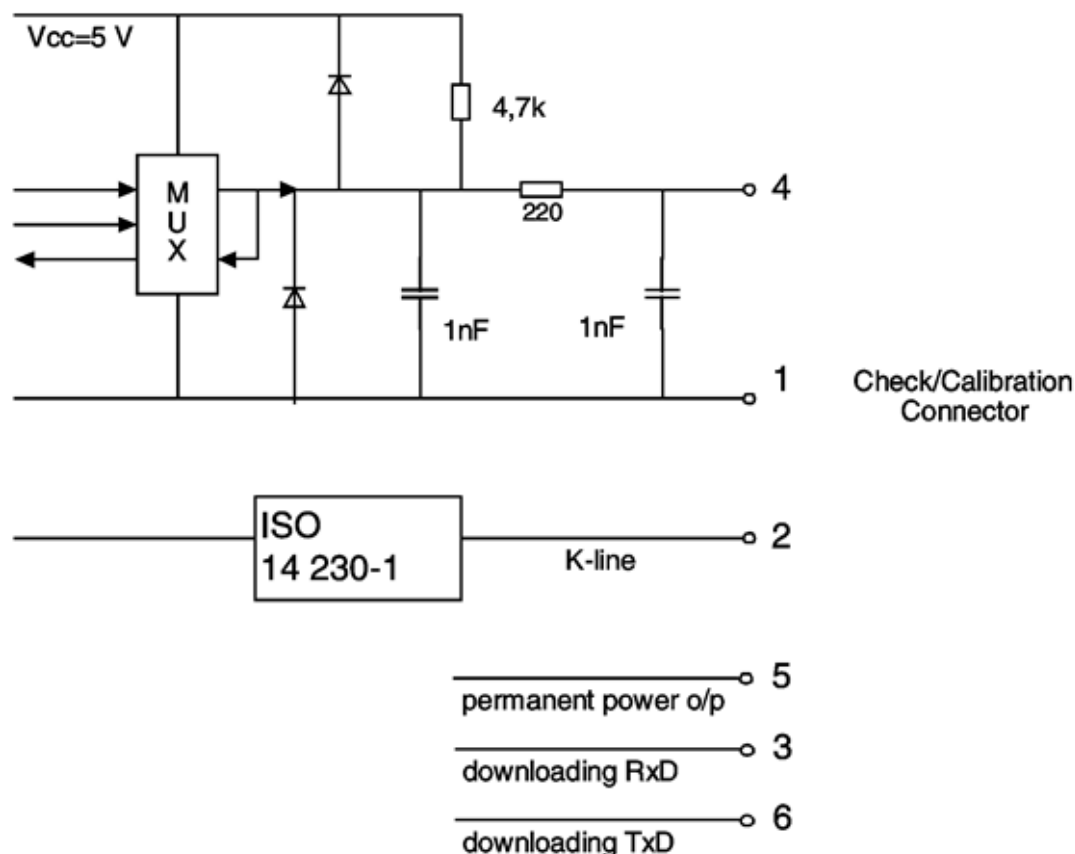
Changes to legislation: There are currently no known outstanding effects for the Council Regulation (EEC) No 3821/85, Division 1.. (See end of Document for details)

Contacts shall be allocated in accordance with the following table:

Pin	Description	Remark
1	Battery minus	Connected to the battery minus of the vehicle
2	Data communication	K-line (ISO 14 230-1)
3	RxD — Downloading	Data input to recording equipment
4	Input/output signal	Calibration
5	Permanent power output	The voltage range is specified to be that of the vehicle power minus 3V to allow for the voltage drop across the protective circuitry Output 40 mA
6	TxD — Downloading	Data output from recording equipment

1.3. Block diagram

The block diagram shall comply with the following:



Changes to legislation:

There are currently no known outstanding effects for the Council Regulation (EEC) No 3821/85, Division 1..