

This text is meant purely as a documentation tool and has no legal effect. The Union's institutions do not assume any liability for its contents. The authentic versions of the relevant acts, including their preambles, are those published in the Official Journal of the European Union and available in EUR-Lex. Those official texts are directly accessible through the links embedded in this document

► **B**

COUNCIL REGULATION (EC) No 2187/2005

of 21 December 2005

for the conservation of fishery resources through technical measures in the Baltic Sea, the Belts and the Sound, amending Regulation (EC) No 1434/98 and repealing Regulation (EC) No 88/98

(OJ L 349, 31.12.2005, p. 1)

Amended by:

		Official Journal		
		No	page	date
► <u>M1</u>	Council Regulation (EC) No 809/2007 of 28 June 2007	L 182	1	12.7.2007
► <u>M2</u>	Commission Regulation (EU) No 686/2010 of 28 July 2010	L 199	4	31.7.2010
► <u>M3</u>	Regulation (EU) No 1237/2010 of the European Parliament and of the Council of 15 December 2010	L 348	34	31.12.2010
► <u>M4</u>	Regulation (EU) 2015/812 of the European Parliament and of the Council of 20 May 2015	L 133	1	29.5.2015
► <u>M5</u>	Regulation (EU) 2016/1139 of the European Parliament and of the Council of 6 July 2016	L 191	1	15.7.2016

**COUNCIL REGULATION (EC) No 2187/2005****of 21 December 2005****for the conservation of fishery resources through technical measures
in the Baltic Sea, the Belts and the Sound, amending Regulation
(EC) No 1434/98 and repealing Regulation (EC) No 88/98**

CHAPTER I

SCOPE AND DEFINITIONS

*Article 1***Subject matter and scope**

This Regulation lays down technical conservation measures in relation to the taking and landing of fishery resources in the maritime waters under the sovereignty or jurisdiction of the Member States and situated in the geographical area specified in Annex I.

*Article 2***Definitions**

For the purposes of this Regulation:

- (a) ‘active gear’ means any fishing gear for which the catch operation requires an active movement of the gear, including in particular towed gears and encircling gears;
 - (i) ‘trawl’ means gear which is actively towed by one or more fishing vessels and consisting of a net having a cone- or pyramid-shaped body (as trawl body) closed at the back by a codend;
 - (ii) ‘beam trawl’ means gear with a trawl net open horizontally by a steel or wooden tube, the beam, and netting with ground chains, chain mats or tickler chains, actively towed on the bottom by the vessel engine;
 - (iii) ‘Danish seine’ means encircling and towed gear, operated from a boat by means of two long ropes (seine ropes) designed to herd the fish towards the opening of the seine. The gear made up of net, which is similar to a bottom trawl in design and size, comprises two long wings, a body and a bag (codend);
 - (iv) ‘dredges’ means a net or metal basket mounted on a frame of variable shape and size, the lower part of which carries a scraper blade, sometimes toothed;
 - (v) ‘purse seine’ means encircling gear made up of net where the bottom is drawn together by means of a purse line at the bottom of the net, which passes through a series of rings along the groundrope, enabling the net to be pursed and closed;

▼B

- (b) 'passive gear' means any fishing gear for which the catch operation does not require an active movement of the gear, and includes gillnets, entangling nets, trammel nets, trap-nets, lines, pots and traps. The nets may consist of one or more separate nets which are rigged with top, bottom and connecting ropes, and may be equipped with anchoring, floating and navigational gear;
- (i) 'gillnet' and 'entangling net' means gear made up of a single piece of net and held vertically in the water by floats and weights. It catches living aquatic resources by entangling or enmeshing;
- (ii) 'trammel net' means gear made up of two or more pieces of net hung jointly in parallel on a single headline and held vertically in the water by floats and weights;
- (iii) 'lines' means a number of connected lines, either set at the bottom or drifting, each bearing a large number of baited hooks;
- (c) 'hooks' means a bent, sharpened piece of steel wire usually with barb;
- (d) 'immersion time' means the period from the point of time when the nets are first put in the water until the point of time when the nets are fully recovered on board the fishing vessel;
- (e) 'square-meshed netting' means a construction of netting mounted so that of the two sets of parallel lines formed by the mesh bars, one set is parallel to, and the other at right angles to the long axis of the net;
- (f) 'codend' means the last 8 m of the trawl, having either a cylindrical shape, i.e. the same circumference throughout, or a tapering shape;
- (g) 'strengthening bag' means a cylindrical piece of netting completely surrounding the codend of a trawl and which may be attached to the codend at intervals;
- (h) 'back strap' means the rearmost round strap attached to the codend, measured when the meshes are stretched lengthwise;
- (i) 'lifting strap' means a piece of rope encircling the circumference of the codend or the strengthening bag, if any, and attached to it by means of loops or rings;
- (j) 'round strap' means a piece of rope encircling the circumference of the codend or the strengthening bag and which is attached to it;
- (k) 'flapper' means a piece of netting fastened inside an active gear net in such a way that it allows catches to pass from the front to the rear of the gear but limits their possibility of return;
- (l) 'codend buoy' means a buoyant unit attached to the codend;

▼ B

- (m) ‘buoy rope’ means a rope connecting a cod-end buoy to that part of the fishing gear being supported or marked;
- (n) ‘extension piece’ means an untapered section of the trawl having a cylindrical shape, i.e. the same circumference as the codend throughout, attached to or a continuation of the codend;

▼ M1

- (o) ‘drift net’ means any gillnet held on the sea surface or at a certain distance below it by floating devices, drifting with the current, either independently or with the boat to which it may be attached. It may be equipped with devices aiming to stabilise the net or to limit its drift;

▼ M4

- (p) ‘unintended catches’ means incidental catches of marine organisms which, under Article 15 of Regulation (EU) No 1380/2013 of the European Parliament and of the Council ⁽¹⁾, must be landed and counted against quotas either because they are below the minimum conservation reference size or because they exceed the quantities permitted under the catch composition and by-catch rules.

▼ B

CHAPTER II

NETS AND CONDITIONS FOR THEIR USE

SECTION I

*Target species**Article 3***Target species and minimum mesh sizes**

1. For each of the subdivisions listed in Annex I, the ranges of mesh size admissible for each target species shall be as defined in Annex II when fishing with trawls, Danish seines and similar gears and as defined in Annex III when fishing with gillnets, entangling nets and trammel nets. No part of the gears or nets shall have a mesh size less than the smallest mesh size within each mesh size range.

▼ M4

Fishing for any species listed in Annexes II and III using trawls, Danish seines and similar gears, gillnets, entangling nets and trammel nets with a mesh size smaller than the range specified for the target species listed in those Annexes shall be prohibited.

⁽¹⁾ Regulation (EU) No 1380/2013 of the European Parliament and of the Council of 11 December 2013 on the Common Fisheries Policy, amending Council Regulations (EC) No 1954/2003 and (EC) No 1224/2009 and repealing Council Regulations (EC) No 2371/2002 and (EC) No 639/2004 and Council Decision 2004/585/EC (OJ L 354, 28.12.2013, p. 22).

▼ B

2. The minimum percentage of the target species among the living aquatic resources retained on board for each geographic subdivision and each range of mesh size is set out in Annex II and Annex III.
3. During any fishing voyage when dredges are carried on board, the retention on board and the landing of any quantity of living aquatic resources shall be prohibited unless at least 85 % of the live weight thereof consists of molluscs and/or *Furcellaria lumbricalis*.

▼ M4

The first subparagraph shall not apply to unintended catches of species subject to the landing obligation set out in Article 15 of Regulation (EU) No 1380/2013. Those unintended catches shall be landed and counted against quotas.

▼ B

4. The use, within a subdivision, of gillnets or entangling nets having mesh sizes smaller than those referred to in Annex III shall be prohibited.
5. The use, within a subdivision, of trammel nets with mesh size in that part of the net having the largest meshes that does not correspond to one of the categories set out in Annex III unless the mesh size in the part of the net having the smallest meshes is smaller than 16 mm shall be prohibited. If the mesh size in the smallest meshes is less than 16 mm, all meshes with a mesh size above 16 mm shall correspond to the categories set out in Annex III.
6. For each fishing voyage, landings shall be prohibited whenever the catch taken in the subdivisions listed in Annex I, and retained on board, does not comply with the corresponding conditions laid down in Annex II or Annex III.

▼ M4

The first subparagraph shall not apply to unintended catches of species subject to the landing obligation set out in Article 15 of Regulation (EU) No 1380/2013. Those unintended catches shall be landed and counted against quotas.

▼ B*Article 4***Calculation of percentages of target species**

1. The percentages of target species referred to in Annexes II and III shall be calculated as the proportion by live weight of all species listed in Annexes II and III which are either retained on board after sorting or landed.
2. The percentage of target species and of other species shall be obtained by aggregating all quantities of target species and of other species listed in Annexes II and III retained on board.
3. The quantities of species listed in Annexes II and III that have been transhipped from a fishing vessel shall be taken into account when calculating the percentages of target species for that vessel.
4. The percentages of target species may be calculated on the basis of one or more representative samples.

▼B*SECTION II**Active gear**Article 5***Structure of fishing gear**

1. No device shall be used which obstructs or otherwise diminishes the mesh in the codend.
2. By way of derogation from paragraph 1, it shall be permitted to attach to the outside of the lower half of the codend of any active gear, any canvas, netting or other material which has the purpose of preventing or reducing wear. Such material shall be attached along the forward and lateral edges of the codend only.
3. By way of derogation from paragraph 1, when fishing with trawls, Danish seines or similar gears with a mesh size less than 90 mm, it shall be permitted to attach to the outside of the codend a strengthening bag. The mesh size of the strengthening bag shall be at least twice as large as that of the codend and in no case less than 80 mm.

A strengthening bag may be attached at the following points:

- (a) at its forward edge;
- (b) at its rear edge; or
- (c) circumferentially between the rear and front part.

A strengthening bag may be laced:

- (a) circumferentially to the codend and the extension piece around one row of meshes; or
- (b) longitudinally along a single row of meshes.

4. By way of derogation from paragraph 1, it shall be permitted to:

- (a) use in active gear a non-return net or flapper. The flapper may be attached either inside the codend or in front of the codend. The provisions on minimum mesh sizes laid down in Annex II shall not apply to the flapper. The distance from the point of forward attachment of the flapper to the rear end of the codend shall be at least three times the length of the flapper;
- (b) attach to the outside of any part of the codend a sensor dedicated to the measurement of the volume of the catches;
- (c) use round straps and a lifting strap attached to the outside of the codend when fishing with trawls, Danish seines or similar gears with a mesh size smaller than 90 mm;
- (d) use one lifting strap attached to the outside of the codend when fishing with trawls, Danish seines or similar gears with a mesh size equal to or larger than 90 mm;
- (e) attach floats on the two lateral selvages of the codend;
- (f) use a back strap attached to the outside of the codend. The distance between the back strap and the codline shall be equal to or smaller than 50 cm.

▼B*Article 6***Specific prohibited structures**

Use of the following shall be prohibited:

- (a) any codend in which the number of equal sized meshes around any circumference of the codend increases from the front end to the rear end;
- (b) any extension piece in which the circumference at any point is smaller than the circumference of the foremost end of the codend to which the extension piece is joined;
- (c) any codend of mesh size equal to or greater than 32 mm in which any mesh is not diamond or square;
- (d) any trawl, Danish seine or similar gear with a mesh size equal to or larger than 90 mm to which a codend is attached by any means other than being sewn into that part of the net anterior to the codend;
- (e) any trawl, Danish seine or similar gear with a mesh size equal to or larger than 90 mm having more than 100 open diamond meshes and less than 40 open diamond meshes in any circumference of the codend, excluding the joining or the selvedges;
- (f) any codend where the stretched length of the top half is not approximately equal to the stretched length of the bottom half.

*Article 7***Selectivity in trawl fisheries for cod**

The Commission shall, on the basis of advice from the Scientific, Technical and Economic Committee for Fisheries, present to the Council not later than September 2007 an assessment of the selectivity on cod of active gears for which cod is recognised as target species.

*SECTION III****Passive gear****Article 8***Dimensions and immersion time**

1. Where fishing is conducted using gillnets, entangling nets or trammel nets, the use of more than 9 km of nets for vessels with an overall length of up to and including 12 m and 21 km of nets for vessels with an overall length of more than 12 m shall be prohibited.
2. The immersion time of the nets referred to in paragraph 1 shall not exceed 48 hours.
3. By way of derogation from paragraph 2, the immersion time of nets referred to in paragraph 1 when fishing under the ice cover shall not be limited.

*Article 9***Restrictions on driftnets**

1. From 1 January 2008 it shall be prohibited to keep on board, or use for fishing, driftnets.

▼B

2. In 2006 and 2007, a vessel may keep on board, or use for fishing, driftnets if authorised to do so by the competent authorities of the flag Member State.
3. In 2006 and 2007, the maximum number of vessels which may be authorised by a Member State to keep on board, or use for fishing, driftnets shall not exceed 40 % and 20 % respectively of the fishing vessels which used driftnets during the period 2001 to 2003.
4. By way of derogation from paragraph 3, in subdivisions 25 to 32 the maximum number of vessels which may be authorised by a Member State to keep driftnets on board or use them for fishing shall not exceed 40 % of the fishing vessels which used driftnets during the period 2001 to 2003.
5. Member States shall communicate to the Commission by 30 April each year the list of vessels authorised to carry out fishing activities using driftnets.

*Article 10***Conditions for driftnets**

1. The master of a fishing vessel using driftnets shall keep a logbook in which he shall record the following information on a day-to-day basis:
 - (a) the total length of the nets on board;
 - (b) the total length of the nets used in each fishing operation;
 - (c) the quantity, date and position of by-catches of cetaceans.
2. All fishing vessels using driftnets shall keep on board the authorisation referred to in Article 9(2).

*SECTION IV**Common provisions on gear and its use**Article 11***Determination of mesh size and twine thickness**

Commission Regulation (EC) No 129/2003 of 24 January 2003 laying down detailed rules for determining the mesh size and thickness of twine of fishing nets ⁽¹⁾ shall apply.

▼M4*Article 12***Reaching of required catch percentages**

1. Where marine organisms of a species subject to the landing obligation are caught in excess of permitted percentages specified in Annexes II and III, Article 15 of Regulation (EU) No 1380/2013 shall apply. Those unintended catches shall be landed and counted against quotas.

⁽¹⁾ OJ L 22, 25.1.2003, p. 5.

▼M4

2. Marine organisms of a species not subject to the landing obligation set out in Article 15 of Regulation (EU) No 1380/2013 that are caught in excess of permitted percentages as specified in Annexes II and III to this Regulation shall not be landed but shall be returned immediately to the sea.

▼B*Article 13***Conditions for use of gear**

1. Gear that may not be used within a certain geographical area or during a certain period shall be stowed away in such a manner that it is not ready for use in the prohibited area or during the prohibited period. Reserve gear shall be stowed away separately and in such a manner that it is not ready for use.

2. Fishing gear shall be considered not ready for use if:

(a) in the case of trawls, Danish seines and similar gears with the exception of pair trawl:

(i) the trawl boards are made fast to the inner or outer side of the bulwark or the gallows,

(ii) sweep lines or warps are unshackled from the trawl boards or weights;

(b) in the case of pair trawl, the wing tip weights are unshackled and stowed away;

(c) in the case of lines, gillnets, entangling nets and trammel nets:

(i) the nets are stowed under a lashed cover,

(ii) the lines and hooks are kept in closed boxes;

(d) in the case of purse seines, the main or bottom wire is unshackled from the seine.

▼M5

▼B

CHAPTER III
MINIMUM LANDING SIZE OF FISH

Article 14

Measurement of fish

▼M4

1. A marine organism is undersized if its dimensions are below the minimum conservation reference size specified in Annex IV for the relevant species and the relevant geographical area or a minimum conservation reference size otherwise fixed in accordance with Union law. Except where minimum conservation reference sizes have been established in an act adopted in accordance with Article 15(6) of Regulation (EU) No 1380/2013, the minimum conservation reference sizes established in Annex IV to this Regulation shall apply.

▼B

2. The size of a fish shall be measured from the tip of the snout, with mouth closed, to the extreme end of the tail fin.

▼M4

Article 14a

Procedure for establishing minimum conservation reference sizes in the context of discard plans

The Commission shall be empowered, for the purpose of adopting the acts referred to in Article 15(6) of Regulation (EU) No 1380/2013 and for the duration thereof, to establish minimum conservation reference sizes for species subject to the landing obligation set out in Article 15 of that Regulation. Such sizes shall be established by means of a delegated act adopted in accordance with Article 28b of this Regulation and Article 18 of Regulation (EU) No 1380/2013, with the aim of ensuring the protection of juveniles of marine organisms, and may derogate, where appropriate, from the minimum conservation reference sizes specified in Annex IV to this Regulation.

▼B

Article 15

Retention on board of undersized fish

▼M4

1. For catches of undersized marine organisms of a species subject to the landing obligation, Article 15 of Regulation (EU) No 1380/2013 shall apply.

1a. Where catches as referred to in paragraph 1 have been landed, Member States shall have in place measures to facilitate their storage or for finding outlets for them, such as support for investment in the construction and adaptation of landing sites and shelters, or support for investments to add value to fishery products.

▼M4

1b. Undersized marine organisms of a species not subject to the landing obligation set out in Article 15 of Regulation (EU) No 1380/2013 shall not be retained on board, trans-shipped, landed, transported, stored, sold, displayed or offered for sale, but shall be returned immediately to the sea.

▼B

2. For fish other than those defined in Annex II as target species for the mesh size categories 'smaller than 16 mm' or '16 to 31 mm' caught with trawls, Danish seines or similar gears of a mesh size less than 32 mm, or with purse seines, paragraph 1 shall not apply, provided that those fish are not sorted and not sold, displayed or offered for sale for human consumption.

▼M3*Article 15a***Prohibition of highgrading**

Any species which is subject to a quota and which is caught during fishing operations shall be brought aboard the vessel and subsequently landed unless this would be contrary to obligations laid down in Union fisheries regulations establishing technical, control and conservation measures in particular in this Regulation, in Regulation (EC) No 2371/2002 or in Council Regulation (EC) No 1224/2009 of 20 November 2009 establishing a Community control system for ensuring compliance with the rules of the common fisheries policy ⁽¹⁾.

▼B

CHAPTER IV

RESTRICTIONS RELATING TO CERTAIN AREAS, TYPES OF FISHERIES OR LIVING AQUATIC RESOURCES*Article 16***Prohibited areas**

It shall be prohibited throughout the year, to fish with any active gear in the geographical area enclosed by sequentially joining with rhumb lines the following positions, which shall be measured according to the WGS84 coordinate system:

1. 54° 23' N, 14° 35' E
2. 54° 21' N, 14° 40' E
3. 54° 17' N, 14° 33' E
4. 54° 07' N, 14° 25' E
5. 54° 10' N, 14° 21' E
6. 54° 14' N, 14° 25' E
7. 54° 17' N, 14° 17' E
8. 54° 24' N, 14° 11' E
9. 54° 27' N, 14° 25' E
10. 54° 23' N, 14° 35' E

⁽¹⁾ OJ L 343, 22.12.2009, p. 1.

▼ **M5***Article 16a***Area restriction on fishing**

1. It shall be prohibited to conduct any fishing activity from 1 May to 31 October within the areas enclosed by sequentially joining with rhumb lines the following positions, which shall be measured in accordance with the WGS84 coordinate system:

(a) Area 1:

- 55° 45' N, 15° 30' E
- 55° 45' N, 16° 30' E
- 55° 00' N, 16° 30' E
- 55° 00' N, 16° 00' E
- 55° 15' N, 16° 00' E
- 55° 15' N, 15° 30' E
- 55° 45' N, 15° 30' E

(b) Area 2:

- 55° 00' N, 19° 14' E
- 54° 48' N, 19° 20' E
- 54° 45' N, 19° 19' E
- 54° 45' N, 18° 55' E
- 55° 00' N, 19° 14' E

(c) Area 3:

- 56° 13' N, 18° 27' E
- 56° 13' N, 19° 31' E
- 55° 59' N, 19° 13' E
- 56° 03' N, 19° 06' E
- 56° 00' N, 18° 51' E
- 55° 47' N, 18° 57' E
- 55° 30' N, 18° 34' E
- 56° 13' N, 18° 27' E.

2. By way of derogation from paragraph 1, fishing with gillnets, entangling nets and trammel nets of a mesh size equal to or larger than 157 mm or with drifting lines shall be permitted. No other gear shall be kept on board.

▼ B*Article 17***Restrictions on fishing for salmon and sea trout**

1. The retention on board of salmon (*Salmo salar*) or sea trout (*Salmo trutta*) shall be prohibited:

- (a) from 1 June to 15 September in waters of subdivisions 22 to 31;
- (b) from 15 June to 30 September in waters of subdivision 32.

▼ M4

Where salmon (*Salmo salar*) is subject to the landing obligation set out in Article 15 of Regulation (EU) No 1380/2013, the first subparagraph of this paragraph shall not apply to catches of salmon. Where sea trout (*Salmo trutta*) is subject to the landing obligation pursuant to Article 15(3) of Regulation (EU) No 1380/2013, the first subparagraph of this paragraph shall not apply to catches of sea trout. Unintended catches of salmon (*Salmo salar*) or sea trout (*Salmo trutta*) shall be landed, and, in the case of salmon, counted against quotas.

Fishing for salmon (*Salmo salar*) and sea trout (*Salmo trutta*) using any fishing gear within the geographical areas and during the periods referred to in the first subparagraph of this paragraph and as specified in paragraph 2 shall be prohibited.

▼ B

2. The area of prohibition during the closed season shall be beyond four nautical miles measured from the baselines.

▼ M4

3. By way of derogation from paragraph 1, fishing for salmon (*Salmo salar*) and sea trout (*Salmo trutta*) using trap-nets shall be permitted.

▼ B*Article 18***Restrictions on fishing for eel**

The retention on board of eel caught with any active gear shall be prohibited throughout the year.

▼ M3*Article 18a***Restrictions on fishing for flounder and turbot**

1. The retention on board of the following species of fish shall be prohibited where they are caught within the geographical areas and during the periods mentioned below:

Species	Geographical area	Period
Flounder (<i>Platichthys flesus</i>)	Subdivisions 26, 27, 28 and 29 south of 59° 30' N	15 February to 15 May
	Subdivision 32	15 February to 31 May
Turbot (<i>Psetta maxima</i>)	Subdivisions 25, 26 and 28 south of 56° 50' N	1 June to 31 July

▼M3

2. By way of derogation from paragraph 1, when fishing with trawls, Danish seines or similar gears with a mesh size equal to or greater than 105 mm or with gillnets, entangling nets or trammel nets with a mesh size equal to or greater than 100 mm, by-catches of flounder and turbot may be retained on board and landed within a limit of 10 % by live weight of the total catch retained on board and landed during the periods of prohibition referred to in paragraph 1.

▼B*Article 19***Restrictions on unsorted landings**

1. Unsorted catches shall be landed only at ports and landings sites where a sampling programme referred to in paragraph 2 is in operation.
2. Member States shall ensure that an adequate sampling programme allowing effective monitoring of unsorted landings by species is in place.

CHAPTER V

SPECIFIC MEASURES FOR THE GULF OF RIGA*Article 20***Special fishing permit**

1. In order to fish in subdivision 28-1, vessels shall hold a special fishing permit issued in accordance with Article 7 of Regulation (EC) No 1627/94.
2. Member States shall ensure that vessels, to which the special fishing permit referred to in paragraph 1 has been issued, are included in a list, containing their name and internal registration number, made publicly available via an Internet website, the address of which shall be provided to the Commission and Member States by each Member State.
3. Vessels included in the list shall satisfy the following conditions:
 - (a) the total engine power (kW) of the vessels within the lists must not exceed that observed for each Member State in the years 2000-2001 in subdivision 28-1; and
 - (b) the engine power of a vessel must not exceed 221 kilowatts (kW) at any time.

*Article 21***Replacement of vessels or engines**

1. Any individual vessel on the list referred to in Article 20(2) may be replaced by another vessel or vessels, provided that:
 - (a) such replacement does not lead to an increase in the total engine power as indicated in Article 20(3)(a) in the Member State concerned, and

▼B

- (b) the engine power of any replacement vessel does not exceed 221 kW at any time.
2. An engine of any individual vessel included in the list referred to in Article 20(2) may be replaced, provided that:
- (a) the replacement of an engine does not lead to the vessel's engine power exceeding 221 kW at any time, and
 - (b) the power of the replacement engine is not such that replacement leads to an increase in the total engine power as indicated in Article 20(3)(a) for the Member State concerned.

*Article 22***Trawling prohibition**

In subdivision 28-1, fishing with trawl shall be prohibited in waters of less than 20 m in depth.

CHAPTER VI

GENERAL PROVISIONS*Article 23***Prohibited fishing gear and practices**

1. The catching of living aquatic resources using methods incorporating the use of explosives, poisonous or stupefying substances, electric current or any kind of projectile shall be prohibited.
2. The sale, display or offer for sale of living aquatic resources caught using methods referred to in paragraph 1 shall be prohibited.

*Article 24***Scientific research**

1. This Regulation shall not apply to fishing operations conducted solely for the purpose of scientific investigations subject to the following conditions:
 - (a) the fishing operations must be carried out with the permission and under the authority of the Member State or Member States concerned;
 - (b) the Member State or Member States in whose waters the research is carried out must have been informed in advance of the fishing operations; and
 - (c) the vessel conducting the fishing operations must carry on board an authorisation issued by the Member State whose flag the vessel is flying.
2. Notwithstanding paragraph 1, living aquatic resources caught for the purposes specified in paragraph 1 cannot be sold, stored, displayed or offered for sale, unless:

▼B

- (a) they meet the minimum landing sizes listed in Annex IV and, for resources for which fishing opportunities are fixed, such opportunities are not exhausted; or
- (b) they are sold directly for purposes other than human consumption.

*Article 25***Artificial restocking and transplantation**

This Regulation shall not apply to fishing operations conducted solely for the purpose of artificial restocking or transplantation of living aquatic resources which are carried out with the permission and under the authority of the Member State or Member States concerned. Where the artificial restocking or transplantation is carried out in the waters of another Member State or Member States, all the Member States concerned shall be informed in advance.

*Article 26***Measures taken by Member States applying solely to fishing vessels flying their flag**

1. Member States may, for the conservation and management of stocks or to reduce the effect of fishing on the marine eco-system, take technical measures designed to limit fishing opportunities which:
 - (a) supplement measures set out in ►**M3** Union ◀ fisheries Regulations; or
 - (b) go beyond minimum requirements set out in ►**M3** Union ◀ fisheries Regulations.
2. Measures referred to in paragraph 1 shall apply solely to the fishermen of the Member State concerned and shall be compatible with ►**M3** Union ◀ law.
3. The Member State concerned shall communicate such measures without delay to the other Member States and the Commission.
4. Member States shall supply the Commission, on its request, with all information needed for the assessment of whether the measures comply with the conditions laid down in paragraph 1.
5. If the Commission concludes that the measures do not comply with the conditions laid down in paragraph 1 it shall adopt a decision requiring the Member State to withdraw or modify the measures.

*Article 27***Scientific assessment of gear types**

By 1 January 2008, the Commission shall ensure that a scientific assessment of the effects of using in particular gillnets, trammel nets and entangling nets on cetaceans is conducted and its findings presented to the European Parliament and Council.

▼ BCHAPTER VII
FINAL PROVISIONS*Article 28***Implementing rules**

Detailed rules for the implementation of this Regulation shall be adopted in accordance with the procedure referred to in Article 30(2) of Regulation (EC) No 2371/2002.

▼ M4*Article 28a***Procedure for adopting technical measures in the context of discard plans**

The Commission shall be empowered, for the purpose of adopting the acts referred to in Article 15(6) of Regulation (EU) No 1380/2013 and for the duration thereof, to adopt specific provisions regarding fisheries or species subject to the landing obligation that consist of technical measures referred to in Article 7(2) of that Regulation. Such measures shall be adopted by means of a delegated act adopted in accordance with Article 28b of this Regulation and Article 18 of Regulation (EU) No 1380/2013, with the aim of increasing gear selectivity or reducing or, as far as possible, eliminating unwanted catches, and may, where appropriate, derogate from the measures set out in this Regulation.

▼ M5*Article 28aa***Procedure for adopting technical measures in the context of multiannual plans**

The Commission is empowered, for the purpose of adopting the acts referred to in Article 8(1) of Regulation (EU) 2016/1139 of the European Parliament and of the Council⁽¹⁾ and for the duration thereof, to adopt technical measures. Such technical measures shall be established by means of delegated acts adopted in accordance with Article 28b of this Regulation and Article 18 of Regulation (EU) No 1380/2013, and may, where appropriate, derogate from the following:

- (a) specifications of target species, mesh sizes and minimum conservation reference sizes laid down in Annexes II, III and IV to, and referred to in Articles 3 and 4 and Article 14(1) of, this Regulation;
- (b) structures, characteristics and rules governing the use of active gears laid down in Article 5(2), (3) and (4) and Article 6 of, and in Annex II to, this Regulation;

⁽¹⁾ Regulation (EU) 2016/1139 of the European Parliament and of the Council of 6 July 2016 establishing a multiannual plan for the stocks of cod, herring and sprat in the Baltic Sea and the fisheries exploiting those stocks, amending Council Regulation (EC) No 2187/2005 and repealing Council Regulation (EC) No 1098/2007 (OJ L 191, 15.7.2016, p. 1).

▼M5

- (c) structures, characteristics and rules governing the use of passive gears laid down in Article 8 of this Regulation;
- (d) the list(s) of coordinates of areas and periods where fishing prohibitions or restrictions apply as laid down in Articles 16 and 16a of this Regulation;
- (e) the species to which Article 18a(1) of this Regulation applies, as well the geographical areas and periods of application of restrictions on fishing for certain stocks laid down in that paragraph, as well as the technical details of the derogation laid down in Article 18a(2) of this Regulation.

▼M4*Article 28b***Exercise of delegation**

1. The power to adopt delegated acts is conferred on the Commission subject to the conditions laid down in this Article.
2. The power to adopt delegated acts referred to in ►**M5** Articles 14a, 28a and 28aa ◀ shall be conferred on the Commission for a period of 5 years from 1 June 2015.
3. The delegation of power referred to in ►**M5** Articles 14a, 28a and 28aa ◀ may be revoked at any time by the European Parliament or by the Council. A decision to revoke shall put an end to the delegation of the power specified in that decision. It shall take effect the day following the publication of the decision in the *Official Journal of the European Union* or at a later date specified therein. It shall not affect the validity of any delegated acts already in force.
4. As soon as it adopts a delegated act, the Commission shall notify it simultaneously to the European Parliament and to the Council.
5. A delegated act adopted pursuant to ►**M5** Articles 14a, 28a and 28aa ◀ shall enter into force only if no objection has been expressed either by the European Parliament or the Council within a period of 2 months of notification of that act to the European Parliament and the Council or if, before the expiry of that period, the European Parliament and the Council have both informed the Commission that they will not object. That period shall be extended by 2 months at the initiative of the European Parliament or of the Council.

▼B*Article 29***Amendments to the Annexes**

Amendments to Annex I and to Appendices 1 and 2 to Annex II shall be adopted in accordance with the procedure referred to in Article 30(3) of Regulation (EC) No 2371/2002.



Article 30

Amendments to Regulation (EC) No 1434/98

Regulation (EC) No 1434/98 is hereby amended as follows:

1. in Article 1, paragraph 2 shall be deleted;
2. in Article 2, paragraphs 2 and 3 shall be deleted;
3. in Article 3, paragraph 1 shall be replaced by the following:
 - ‘1. Catches of herring taken:
 - in Regions 1 and 2 with towed nets of minimum mesh size equal to or greater than 32 mm, or
 - in Region 3 with towed nets of minimum mesh size equal to or greater than 40 mm, or
 - in Regions 1, 2 or 3 with any fishing gear other than towed nets, shall not be landed for purposes other than direct human consumption unless they are first offered for sale for direct human consumption and fail to find a buyer.’;
4. in Article 3, paragraph 2 shall be replaced by the following:
 - ‘2. However, any herring caught with any fishing gear within the conditions specified in Article 2 may be landed for purposes other than direct human consumption.’

Article 31

Repeal

Regulation (EC) No 88/98 shall be repealed.

References to the repealed Regulation shall be construed as references to this Regulation and shall be read in accordance with the correlation table in Annex V.

Article 32

Entry into force

This Regulation shall enter into force on the seventh day following its publication in the *Official Journal of the European Union*.

It shall apply from 1 January 2006.

This Regulation shall be binding in its entirety and directly applicable in all Member States.

*ANNEX I***Subdivisions of the geographical area referred to in Article 1 to be measured according to the WGS84 coordinate system****Subdivision 22**

The waters bounded by a line drawn from Hasenøre Head (56° 09' N, 10° 44' E) on the east coast of Jutland to Griben Point (56° 01' N, 11° 18' E) on the west coast of Zealand; then along the west coast and south coast of Zealand to a point situated at longitude 12° 00' E; from there, due south to the island of Falster; then along the east coast of the island of Falster to Gedser Odde (54° 34' N, 11° 58' E); then due east to longitude 12° 00' E; then due south to the coast of Germany; then in a south-westerly direction along the coast of Germany and the east coast of Jutland as far as the point of departure.

Subdivision 23

The waters bounded by a line drawn from Gilbjerg Head (56° 08' N, 12° 18' E) on the north coast of Zealand to Kullen (56° 18' N, 12° 28' E) on the coast of Sweden; then in a southerly direction along the coast of Sweden to the Falsterbo lighthouse (55° 23' N, 12° 50' E); then through the southern entrance to the Sound to the Stevns lighthouse (55° 19' N, 12° 28' E) on the coast of Zealand; then in a northerly direction along the east coast of Zealand as far as the point of departure.

Subdivision 24

The waters bounded by a line drawn from the Stevns lighthouse (55° 19' N, 12° 28' E) on the east coast of Zealand through the southern entrance to the Sound to the Falsterbo lighthouse (55° 23' N, 12° 50' E) on the coast of Sweden; then along the south coast of Sweden to the Sandhammaren lighthouse (55° 24' N, 14° 12' E); from there to the Hammerodde lighthouse (55° 18' N, 14° 47' E) on the north coast of Bornholm; then along the west and south coasts of Bornholm to a point situated at longitude 15° 00' E; from there due south to the coast of Poland; then in a westerly direction along the coasts of Poland and Germany to a point situated at longitude 12° 00' E; then due north to a point situated at latitude 54° 34' N and longitude 12° 00' E; then due west to Gedser Odde (54° 34' N, 11° 58' E); from there, along the east and north coast of the island of Falster to a point situated at longitude 12° 00' E; from there, due north to the south coast of Zealand; then in a westerly and northerly direction along the west coast of Zealand as far as the point of departure.

Subdivision 25

The waters bounded by a line drawn from a point on the east coast of Sweden at latitude 56° 30' N and proceeding due east to the west coast of the island of Öland; then, after passing south of the island of Öland to a point on the east coast situated at latitude 56° 30' N, due east to longitude 18° 00' E; then due south to the coast of Poland; then in a westerly direction along the coast of Poland to a point situated at longitude 15° 00' E; then due north to the island of Bornholm; then along the south and west coasts of Bornholm to the Hammerodde lighthouse (55° 18' N, 14° 47' E); then to the Sandhammaren lighthouse (55° 24' N, 14° 12' E) on the south coast of Sweden; then in a northerly direction along the east coast of Sweden as far as the point of departure.

▼B**Subdivision 26**

The waters bounded by a line drawn from a point situated at latitude 56° 30' N and longitude 18° 00' E and proceeding due east to the west coast of Latvia; then in a southerly direction along the coasts of Latvia, Lithuania, Russia and Poland to a point on the Polish coast situated at longitude 18° 00' E; then due north as far as the point of departure.

Subdivision 27

The waters bounded by a line drawn from a point on the east mainland coast of Sweden situated at latitude 59° 41' N and longitude 19° 00' E and proceeding due south to the north coast of the island of Gotland; then in a southerly direction along the west coast of Gotland to a point situated at latitude 57° 00' N; then due west to longitude 18° 00' E; then due south to latitude 56° 30' N; then due west to the east coast of the island of Öland; then, after passing south of the island of Öland, to a point on its west coast situated at latitude 56° 30' N; then due west to the coast of Sweden; then in a northerly direction along the east coast of Sweden as far as the point of departure.

Subdivision 28-1

The waters bounded in the west by a line drawn from 57° 34,1234' N, 21° 42,9574' E to 57° 57,4760' N, 21° 58,2789' E, then southwards to the southernmost point of the peninsula of Sörve and then in a north-eastern direction along the east coast of the island of Saaremaa; and in the north by a line drawn from 58° 30,0' N, 23°13,2' E to 58° 30,0' N, 23°41,1' E.

Subdivision 28-2

The waters bounded by a line drawn from a point situated at latitude 58° 30' N and longitude 19° 00' E and proceeding due east to the west coast of the island of Saaremaa; then, southwards along the west coast of Saaremaa to latitude 57° 57,4760' N and longitude 21° 58,2789' E; then south to a point situated at latitude 57° 34,1234' N and longitude 21° 42,9574' E; then following the Latvian coast southwards to a point situated at latitude 56° 30' N; then due west to longitude 18° 00' E; then due north to latitude 57° 00' N; then due east to the west coast of the island of Gotland; then in a northerly direction to a point on the north coast of Gotland situated at longitude 19° 00' E; then due north as far as the point of departure.

Subdivision 29

The waters bounded by a line drawn from a point on the east mainland coast of Sweden situated at latitude 60° 30' N and proceeding due east to the mainland coast of Finland; then in a southerly direction along the west and south coasts of Finland to a point on the south mainland coast situated at longitude 23° 00' E; then due south to latitude 59° 00' N; then due east to the mainland coast of Estonia; then in a southerly direction along the west coast of Estonia to a point situated at latitude 58° 30' N; then due west to the east coast of the island of Saaremaa; then, after passing north of the island of Saaremaa, to a point on its west coast situated at latitude 58° 30' N; then due west to longitude 19° 00' E; then due north to a point on the east mainland coast of Sweden situated at latitude 59° 41' N; then in a northerly direction along the east coast of Sweden as far as the point of departure.

▼B**Subdivision 30**

The waters bounded by a line drawn from a point on the east coast of Sweden situated at latitude 63° 30' N and proceeding due east to the mainland coast of Finland; then in a southerly direction along the coast of Finland to a point situated at latitude 60° 30' N; then due west to the mainland coast of Sweden; then in a northerly direction along the east coast of Sweden as far as the point of departure.

Subdivision 31

The waters bounded by a line drawn from a point on the east coast of Sweden situated at latitude 63° 30' N and proceeding, after passing north of the Gulf of Bothnia, to a point on the west mainland coast of Finland situated at latitude 63° 30' N; then due west as far as the point of departure.

Subdivision 32

The waters bounded by a line drawn from a point on the south coast of Finland situated at longitude 23° 00' E and proceeding, after passing east of the Gulf of Finland, to a point on the west coast of Estonia situated at latitude 59° 00' N; then due west to longitude 23° 00' E; then due north as far as the point of departure.

ANNEX II

Trawls, Danish seines and similar gear: mesh size ranges, target species and required catch percentages applicable

Target species	Mesh size range (mm)						
	< 16	16 ≤ and < 32	16 ≤ and < 105	32 ≤ and < 90	32 ≤ and < 105	≥ 90 ⁽³⁾	≥ 105 ⁽²⁾ ⁽³⁾
	Groups of subdivisions						
	22-32	22-27	28-32	22-23	24-27	22-23	22-32
	Minimum percentage of target species						
	90 ⁽¹⁾	90 ⁽¹⁾ ⁽⁵⁾	90 ⁽¹⁾	90 ⁽¹⁾ ⁽⁴⁾	90 ⁽¹⁾ ⁽⁴⁾	90	100
Sand eels (<i>Ammodytidae</i>)	*	*	*	*	*	*	*
Sprat (<i>Sprattus sprattus</i>)		*	*	*	*	*	*
Herring (<i>Clupea harengus</i>)			*	*	*	*	*
Sole (<i>Solea vulgaris</i>)						*	*
Plaice (<i>Pleuronectes platessa</i>)						*	*
Whiting (<i>Merlangius merlangus</i>)						*	*
Brill (<i>Scophthalmus rhombus</i>)						*	*
Dab (<i>Limanda limanda</i>)						*	*
Flounder (<i>Platichthys flesus</i>)						*	*
Lemon sole (<i>Microstomus kitt</i>)						*	*
Turbot (<i>Psetta maxima</i>)						*	*
Cod (<i>Gadus morhua</i>)							*

⁽¹⁾ The catch retained on board shall consist of no more than 3 % of cod by live weight.

⁽²⁾ Only trawls, Danish seines and similar gears with Bacoma exit window or with T90 codend and extension piece with mesh size and specifications as laid down in Appendices I and II shall be authorised.

⁽³⁾ The use of beam trawl shall not be authorised.

⁽⁴⁾ The catch retained on board may consist of up to 40 % of whiting by live weight.

⁽⁵⁾ The catch retained on board may consist of up to 45 % of herring by live weight.

▼ **M2***Appendix 1***Specifications of Bacoma codends****Description**

- (a) *Size of the codend, extension piece and the rear end of the trawl*
- (i) The codend shall be constructed of two panels, joined together by selvages one on each side of equal length.
 - (ii) The minimum mesh size of the diamond meshes shall be 105 mm. The material of the yarn shall be of polyethylene threads with a single twine thickness of no more than 6 mm or with double twine thickness of no more than 4 mm.
 - (iii) The use of codends and extension pieces which are made of only one piece of net material and have only one selvedge shall be prohibited.
 - (iv) The number of open diamond meshes, excluding those in the selvages, at any point on any circumference of any extension piece shall not be less or more than the maximum number of meshes on the circumference of the front end of the codend (Figure 1).
- (b) *Location of window*
- (i) The window shall be inserted into the top panel of the codend (Figure 2).
 - (ii) The window shall terminate not more than four meshes from the codline, inclusive of the hand-braided row of meshes through which the codline is passed (Figure 3 or 4).
- (c) *Size of window*
- (i) The width of the window, expressed in number of mesh bars, shall be equal to the number of open diamond meshes in the top panel divided by two. If necessary, it will be allowed to maintain at the most 20 % of the number of open diamond meshes in the top panel divided evenly on the both sides of the window panel (Figure 4).
 - (ii) The length of the window shall be at least 5,5 m.
 - (iii) By way of derogation from point (ii) the length of the window shall be at least 6 m if a sensor dedicated to the measurement of the volume of the catches is attached to the window.
- (d) *Netting of window*
- (i) The meshes shall have a minimum mesh opening of 120 mm. The meshes shall be square meshes i.e. all four sides of the window netting will be cut all bars.
 - (ii) The netting shall be mounted such that the bars run parallel and perpendicular to the length of the codend. The netting shall be knotless braided single twine or netting with similar proven selective properties. Knotless netting means netting which is composed of meshes of four sides in which the corners of the meshes are formed by the interweaving of the twines of two adjacent sides of the mesh.
 - (iii) The diameter of the single yarn shall be at least 5 mm.

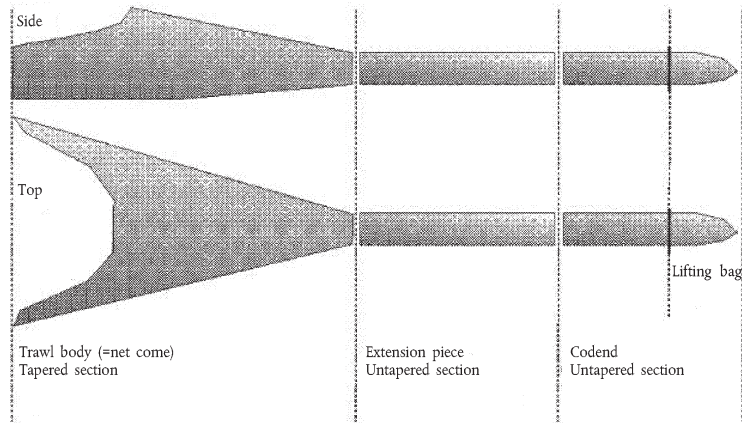
▼ **M2**

(e) *Other specifications*

- (i) A back strap shall not encircle the Bacoma exit window.
- (ii) A codend buoy shall be spherical in shape and have a maximum diameter of 40 cm. It shall be fastened through the buoy rope to the codline.
- (iii) A flapper shall not overlap the Bacoma exit window.

▼ M2*Figure 1*

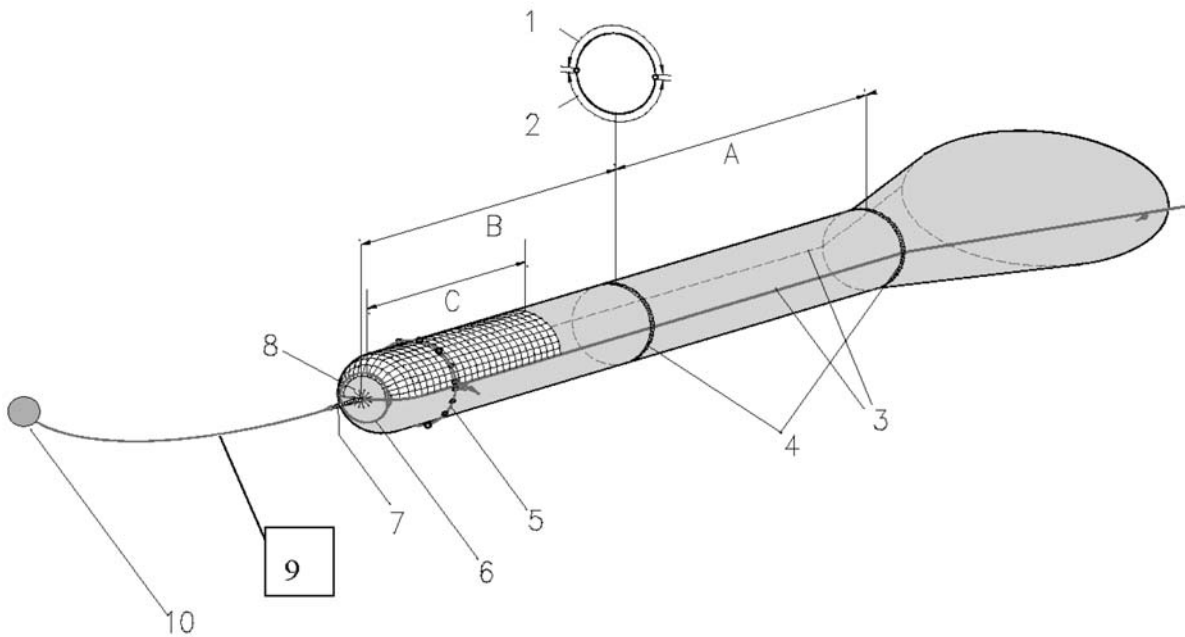
Trawl gear can be divided into three different sections according to shape and function. The trawl body is always a tapered section. The extension piece is an untapered section normally manufactured of either one or two pieces of nets. The codend is also an untapered section often made of double twine in order to have a better resistance against heavy wearing. The part below the lifting strap is called lifting bag.



▼ **M2**

Figure 2

- A Extension piece
- B Codend
- C Escape window, square mesh panel
 - 1 Upper panel, maximum 50 open diamond meshes
 - 2 Lower panel, maximum 50 open diamond meshes
 - 3 Selvedges
 - 4 Joining round or lacing
 - 5 Lifting strap
 - 6 Back strap
 - 7 Codline
 - 8 Distance of window from codline (Figures 3 and 4)
 - 9 Buoy rope
 - 10 Codend buoy

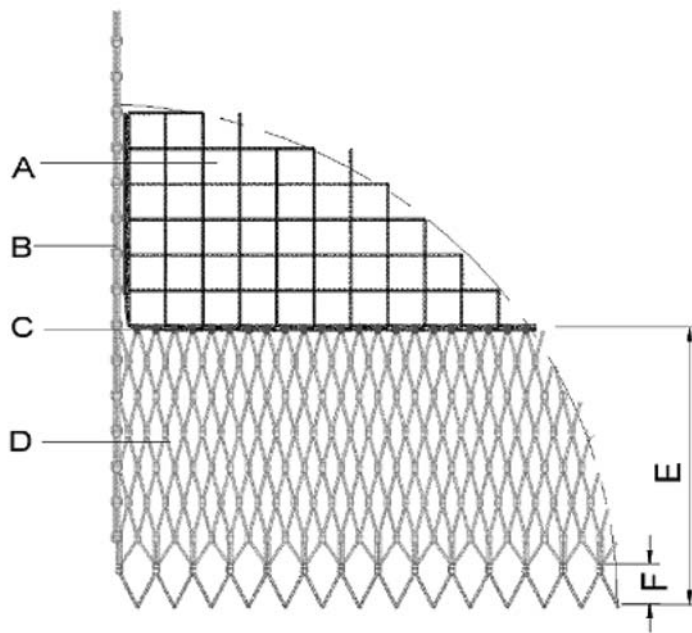


▼ M2

Figure 3

MOUNTING OF WINDOW PANEL

- A 120 mm square mesh panel (25 bars)
- B Joining of square mesh panel to selvedge
- C Joining of square mesh panel to diamond mesh net
- D 105 mm diamond mesh net (maximum 50 open meshes)
- E Distance of the window panel from the codline. The window shall terminate not more than four meshes from the codline, inclusive of the hand-braided row of meshes through which the codline is passed
- F One row of hand-braided codline meshes

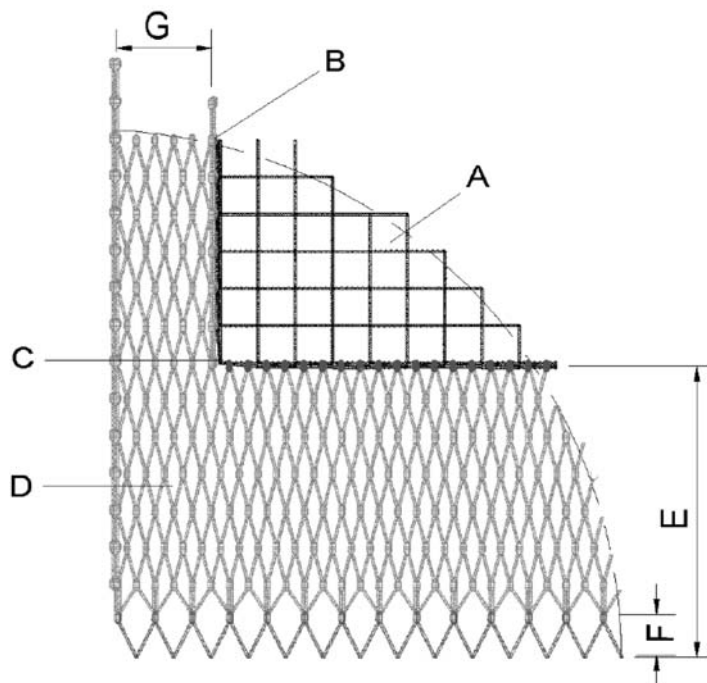


▼ M2

Figure 4

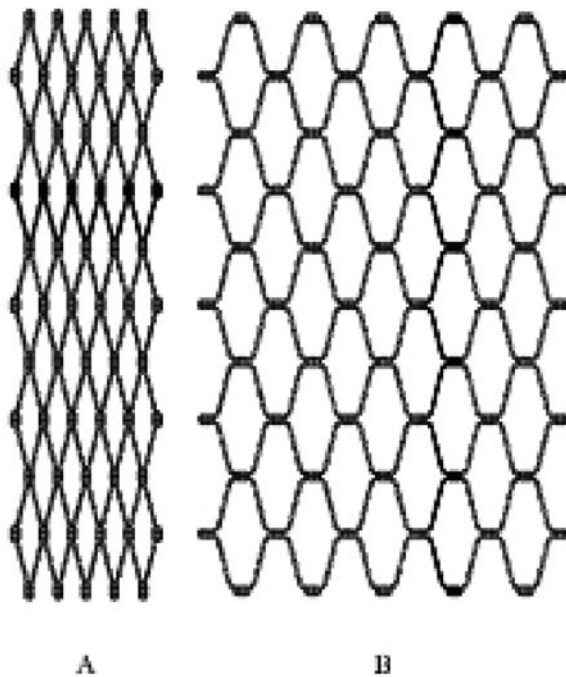
MOUNTING OF WINDOW PANEL

- A 120 mm square mesh panel (20 bars)
- B Joining of square mesh panel to selvedge
- C Joining of square mesh panel to diamond mesh net
- D 105 mm diamond mesh net (max 50 open meshes)
- E Distance of the window panel from the codline. The window shall terminate not more than 4 meshes from the codline, inclusive of the hand-braided row of meshes through which the codline is passed
- F One row of hand-braided codline meshes
- G Maximum 10 % in both sides of open meshes D



▼ **M2***Appendix 2***SPECIFICATIONS OF THE T90 TRAWL****(a) Definition**

1. T90 trawls are defined as trawls, Danish seines and similar gears having a codend and extension piece produced from diamond knotted netting turned 90° so that the main direction of run of the netting twine is parallel to the towing direction.
2. The direction of run of the netting twine in a standard diamond knotted net (A) and in a net turned 90° (B) is illustrated in Figure 1 below.

Figure 1**(b) Mesh size and measurement**

The mesh size shall be at least 120 mm. By way of derogation from Article 6(1) of Commission Regulation (EC) No 517/2008 (*), the mesh size in the codend and the extension piece shall be measured perpendicular to the longitudinal axis of the fishing gear.

(c) Twine thickness

The material of the yarn of the codend and the extension piece shall be of polyethylene threads with a single twine thickness of no more than 6 mm or with double twine thickness of no more than 4 mm. This provision shall not apply to the rear most row of meshes in the codend if fitted with a codline.

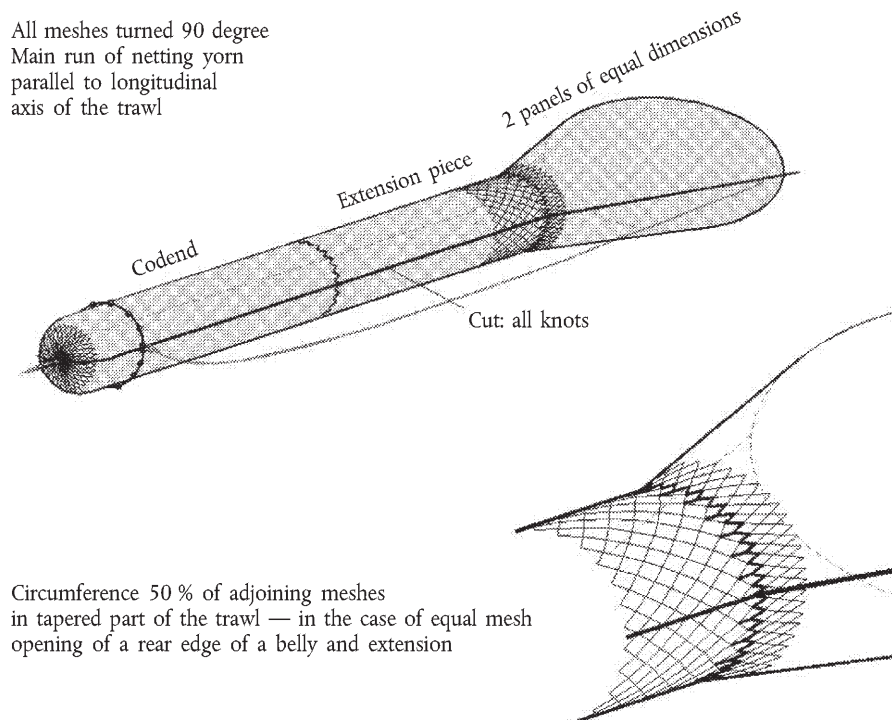
(d) Construction

1. A codend and extension of turned meshes (T90) shall be constructed from two panels of equal dimensions, with at least 50 meshes in length, and with the mesh orientation described above, joined by two lateral selvages.
2. The number of open meshes in any circumference must be constant from the front part of the extension to the rear most part of the codend.

▼ **M2**

3. At the point of attachment of the codend or extension piece to the tapered part of the trawl, the number of meshes in circumference of the codend or extension piece must be 50 % of the last row of meshes of the tapered part of the trawl.
4. A codend and extension piece is illustrated in Figure 2 below.
- (e) **Circumference**
The number of meshes in any circumference in the codend and the extension piece, excluding joinings and selvages shall be no more than 50.
- (f) **Joining rounds**
The forward edge of the panels composing both codend and extension piece shall be fitted out with a braided row of half meshes. The aft edge of codend panel shall be fitted out by a full row of braided meshes able to guide the codline.
- (g) **Codend buoy**
A codend buoy shall be spherical in shape and have a maximum diameter of 40 cm. It shall be fastened through the buoy rope to the codline.

Figure 2



(*) JO L 151, 11.6.2008, p. 5.

ANNEX III

Gillnets, entangling nets and trammel nets: mesh size ranges and target species

Target species	Mesh size range (mm)				
	16 ≤ and < 110	32 ≤ and < 110	90 ≤ and < 156 ⁽²⁾	110 ≤ and < 156	≥ 157
	Groups of subdivisions				
	28-32	22-27	22-23	22-32	22-32
	Minimum percentage of target species				
	90 ⁽¹⁾	90 ⁽¹⁾	90	90	100
Sprat (<i>Sprattus sprattus</i>)	*	*	*	*	*
Herring (<i>Clupea harengus</i>)	*	*	*	*	*
Sole (<i>Solea vulgaris</i>)			*	*	*
Plaice (<i>Pleuronectes platessa</i>)			*	*	*
Whiting (<i>Merlangius merlangus</i>)			*	*	*
Brill (<i>Scophthalmus rhombus</i>)			*	*	*
Dab (<i>Limanda limanda</i>)			*	*	*
Flounder (<i>Platichthys flesus</i>)			*	*	*
Lemon sole (<i>Microstomus kitt</i>)			*	*	*
Turbot (<i>Psetta maxima</i>)			*	*	*
Cod (<i>Gadus morhua</i>)				*	*
Salmon (<i>Salmo salar</i>)					*

⁽¹⁾ The catch retained on board shall consist of no more than 3 % of cod by live weight.

⁽²⁾ Such range of mesh size shall be admissible until 30 June 2006.

▼ B

ANNEX IV

▼ M4

Minimum conservation reference sizes

▼ B

Species	Geographical area	► <u>M4</u> Minimum conservation reference size ◀
Cod (<i>Gadus morhua</i>)	Subdivisions 22-32	38 cm
Flounder (<i>Platichthys flesus</i>)	Subdivisions 22 to 25	23 cm
	Subdivisions 26 to 28	21 cm
	Subdivisions 29 to 32, south of 59° 30' N	18 cm
Plaice (<i>Pleuronectes platessa</i>)	Subdivisions 22 to 32	25 cm
Turbot (<i>Psetta maxima</i>)	Subdivisions 22 to 32	30 cm
Brill (<i>Scophthalmus rhombus</i>)	Subdivisions 22 to 32	30 cm
Eel (<i>Anguilla anguilla</i>)	Subdivisions 22 to 32	35 cm
Salmon (<i>Salmo salar</i>)	Subdivisions 22 to 30 and 32	60 cm
	Subdivision 31	50 cm
Sea trout (<i>Salmo trutta</i>)	Subdivisions 22 to 25 and 29 to 32	40 cm
	Subdivision 26 to 28	50 cm



ANNEX V

Correlation table

Council Regulation (EC) No 88/98	This Regulation
Article 1	Article 1
Article 2	—
Article 3(1) and (2)	Article 14
Article 3(3)	Article 15(1)
Article 3(4)	—
Article 3(5)	—
Article 4	—
Article 5(1) and (3)	Article 3
Article 5(2)	—
Article 6	Article 11
Article 7	Article 5
Article 8(1)	Article 13(1)
Article 8(2)	Article 13(2)
Article 8(3)	Article 16
Article 8(4)	Article 13(3)
Article 8a	Article 9
Article 8b	Article 10
Article 9(1)	Article 17
Article 9(2)	Article 8(1)
Article 10(1)	—
Article 10(2)	Article 23(1)
Article 10(3)	—
Article 10(4)	—
Article 11	Article 24
Article 12	Article 25
Article 13	Article 26
Article 14	Article 28
Article 15	Article 31
Article 16	Article 32

▼B

Council Regulation (EC) No 88/98	This Regulation
Annex I	Annex I
Annex II	—
Annex III	Annex IV
Annex IV	Annexes II and III
Annex V	Appendix 1 to Annex II
Annex VI	Annex V