

Commission Regulation (EU) No 109/2011 of 27 January 2011 implementing Regulation (EC) No 661/2009 of the European Parliament and of the Council as regards type-approval requirements for certain categories of motor vehicles and their trailers as regards spray suppression systems (Text with EEA relevance)

COMMISSION REGULATION (EU) No 109/2011

of 27 January 2011

implementing Regulation (EC) No 661/2009 of the European Parliament and of the Council as regards type-approval requirements for certain categories of motor vehicles and their trailers as regards spray suppression systems

(Text with EEA relevance)

THE EUROPEAN COMMISSION,

Having regard to the Treaty on the Functioning of the European Union,

Having regard to Regulation (EC) No 661/2009 of the European Parliament and of the Council of 13 July 2009 concerning type-approval requirements for the general safety of motor vehicles, their trailers and systems, components and separate technical units intended therefor<sup>(1)</sup>, and in particular Article 14(1)(a) thereof,

Whereas:

- (1) Regulation (EC) No 661/2009 is a separate Regulation for the purposes of the type-approval procedure provided for by Directive 2007/46/EC of the European Parliament and of the Council of 5 September 2007 establishing a framework for the approval of motor vehicles and their trailers, and of systems, components and separate technical units intended for such vehicles (Framework Directive)<sup>(2)</sup>.
- (2) Regulation (EC) No 661/2009 repeals Council Directive 91/226/EEC of 27 March 1991 on the approximation of the laws of the Member States relating to the spray suppression systems of certain categories of motor vehicles and their trailers<sup>(3)</sup>.
- (3) Regulation (EC) No 661/2009 lays down fundamental provisions on requirements for the type-approval of motor vehicles with regard to their spray suppression systems and the type-approval of spray suppression systems as separate technical units. It is now necessary to set out the specific procedures, tests and requirements for such type-approval.
- (4) In so doing, it is appropriate to carry over to this Regulation the requirements set out in Directive 91/226/EEC adapted where necessary to the development of scientific and technical knowledge.
- (5) The scope of this Regulation should be in line with that of Regulation (EC) No 661/2009 and thus limited to vehicles of categories N and O. The measures provided for in this Regulation are in accordance with the opinion of the Technical Committee — Motor Vehicles,

---

**Changes to legislation:** There are outstanding changes not yet made to Commission Regulation (EU) No 109/2011. Any changes that have already been made to the legislation appear in the content and are referenced with annotations. (See end of Document for details) [View outstanding changes](#)

---

HAS ADOPTED THIS REGULATION:

*<sup>F1</sup>Article 1* **U.K.**

### Scope

This Regulation applies to vehicles of categories N and O, as defined in Annex II to Directive 2007/46/EC, as well as to spray suppression systems intended for fitment to vehicles of categories N and O.]

#### Textual Amendments

- F1** Substituted by [Commission Regulation \(EU\) 2015/166 of 3 February 2015 supplementing and amending Regulation \(EC\) No 661/2009 of the European Parliament and of the Council as regards the inclusion of specific procedures, assessment methods and technical requirements, and amending Directive 2007/46/EC of the European Parliament and of the Council, and Commission Regulations \(EU\) No 1003/2010, \(EU\) No 109/2011 and \(EU\) No 458/2011 \(Text with EEA relevance\).](#)

*Article 2* **U.K.**

### Definitions

For the purposes of this Regulation, the following definitions shall apply:

- (1) ‘spray-suppression system’ means a system intended to reduce the pulverisation of water thrown upwards by the tyres of a vehicle in motion and which is made up of a mudguard, rain flaps and valances equipped with a spray-suppression device;
- (2) ‘mudguard’ means a rigid or semi-rigid component intended to trap the water thrown up by tyres in motion and to direct it towards the ground and which may entirely or partially form an integral part of the vehicle bodywork or other parts of the vehicle such as the lower part of the load platform;
- (3) ‘rain flap’ means a flexible component mounted vertically behind the wheel, on the lower part of the chassis or the loading surface, or on the mudguard and which must also reduce the risk of small objects, in particular pebbles, being picked up from the ground by the tyres and thrown upwards or sideways towards other road users;
- (4) ‘spray-suppression device’ means part of the spray-suppression system, which may comprise an air/water separator and an energy absorber;
- (5) ‘air/water separator’ means a component forming part of the valance and/or of the rain flap through which air can pass whilst reducing pulverised water emissions;
- (6) ‘energy absorber’ means a component forming part of the mudguard and/or valance and/or rain flap which absorbs the energy of water spray, thus reducing pulverised water spray;
- (7) ‘outer valance’ means a component located approximately within a vertical plane that is parallel to the longitudinal plane of the vehicle and which may form part of a mudguard or of the vehicle bodywork;
- (8) ‘steered wheels’ means the wheels actuated by the vehicle’s steering system;

---

*Changes to legislation:* There are outstanding changes not yet made to Commission Regulation (EU) No 109/2011. Any changes that have already been made to the legislation appear in the content and are referenced with annotations. (See end of Document for details) [View outstanding changes](#)

---

- (9) ‘self-tracking axle’ means an axle pivoted about a central point in such a way that it can describe a horizontal arc;
- (10) ‘self-steered wheels’ means wheels not actuated by the vehicle’s steering device, which may swivel through an angle not exceeding 20° owing to the friction exerted by the ground.;
- (11) ‘retractable axle’ means an axle as defined in point 2.15 of Annex I to Directive 97/27/EC of the European Parliament and of the Council<sup>(4)</sup>;
- (12) ‘unladen vehicle’ means a vehicle in running order as stated in point 2.6 of Annex I to Directive 2007/46/EC;
- (13) ‘tread’ is the part of the tyre as defined in point 2.8 of Annex II to Council Directive 92/23/EEC<sup>(5)</sup>;
- (14) ‘type of spray-suppression device’ means devices which do not differ with respect to the following main characteristics:
- (a) the physical principle adopted in order to reduce emissions (water-energy absorption, air/water separator),
  - (b) materials,
  - (c) shape,
  - (d) dimensions, in so far as they may influence the behaviour of the material;
- (15) ‘semi-trailer towing vehicle’ means a towing vehicle as defined in point 2.1.1.2.2 of Annex I to Directive 97/27/EC;
- (16) ‘technically permissible maximum laden mass (M)’ means the maximum technically permissible maximum laden mass stated by the manufacturer as described in point 2.8 of Annex I to Directive 2007/46/EC;
- (17) ‘vehicle type with regard to spray suppression’ means complete, incomplete or completed vehicles, which do not differ with respect to the following aspects:
- type of spray suppression device installed on the vehicle,
  - manufacturer’s spray suppression system type designation.

### Article 3 **U.K.**

#### **EC type-approval of a vehicle with regard to spray suppression systems**

1 The manufacturer or the representative of the manufacturer shall submit to the approval authority the application for EC type-approval of a vehicle with regard to its spray suppression systems.

2 The application shall be drawn up in accordance with the model of the information document set out in Part 1 of Annex I.

3 If the relevant requirements set out in Annexes III and IV to this Regulation are met, the approval authority shall grant an EC type-approval and issue a type-approval number in accordance with the numbering system set out in Annex VII to Directive 2007/46/EC.

An approval authority may not assign the same number to another vehicle type.

---

**Changes to legislation:** There are outstanding changes not yet made to Commission Regulation (EU) No 109/2011. Any changes that have already been made to the legislation appear in the content and are referenced with annotations. (See end of Document for details) [View outstanding changes](#)

---

4 For the purposes of paragraph 3, the approval authority shall deliver an EC type-approval certificate established in accordance with the model set out in Part 2 of Annex I.

*Article 4* **U.K.**

**EC separate technical unit type-approval of spray suppression systems**

1 The manufacturer or his representative shall submit to the approval authority the application for EC separate technical unit type-approval for a type of spray suppression system.

The application shall be drawn up in accordance with the model information document set out in Part 1 of Annex II.

2 If the relevant requirements set out in Annexes III and IV to this Regulation are met, the approval authority shall grant an EC separate technical unit type-approval and issue a type-approval number in accordance with the numbering system set out in Annex VII to Directive 2007/46/EC.

An approval authority may not assign the same number to another type of separate technical unit.

3 For the purposes of paragraph 2, the approval authority shall deliver an EC type-approval certificate established in accordance with the model set out in Part 2 of Annex II.

*Article 5* **U.K.**

**EC separate technical unit type-approval mark**

Every separate technical unit conforming to a type in respect of which EC separate technical unit type-approval has been granted pursuant to this Regulation shall bear an EC separate technical unit type-approval mark as set out in Part 3 of Annex II.

*Article 6* **U.K.**

**Validity and extension of approvals granted under Directive 91/226/EEC**

National authorities shall permit the sale and entry into service of vehicles and separate technical units type-approved under Directive 91/226/EEC before 1 November 2012 and continue to grant extension of approvals to those vehicles and separate technical units under the terms of Directive 91/226/EEC.

*Article 7* **U.K.**

**Entry into force**

This Regulation shall enter into force on the twentieth day following its publication in the *Official Journal of the European Union*.

This Regulation shall be binding in its entirety and directly applicable in all Member States.

---

**Changes to legislation:** There are outstanding changes not yet made to Commission Regulation (EU) No 109/2011. Any changes that have already been made to the legislation appear in the content and are referenced with annotations. (See end of Document for details) [View outstanding changes](#)

---

---

*Changes to legislation: There are outstanding changes not yet made to Commission Regulation (EU) No 109/2011. Any changes that have already been made to the legislation appear in the content and are referenced with annotations. (See end of Document for details) View outstanding changes*

---

## ANNEX I U.K.

### ADMINISTRATIVE DOCUMENTS FOR EC TYPE-APPROVAL OF VEHICLES WITH REGARD TO THEIR SPRAY SUPPRESSION SYSTEMS

#### PART I U.K.

##### Information document

##### MODEL

Information document No ... relating to the EC type-approval of a vehicle with regard to its spray suppression systems.

The following information shall be supplied in triplicate and include a list of contents. Any drawings shall be supplied in appropriate scale and in sufficient detail on size A4 or on a folder of A4 format. Photographs, if any, shall show sufficient detail.

If the systems, components or separate technical units have electronic controls, information concerning their performance shall be supplied.

#### 0. GENERAL U.K.

- 0.1. Make (trade name of manufacturer):
- 0.2. Type:
  - 0.2.1. Commercial name(s) (if available):
- 0.3. Means of identification of type, if marked on the vehicle <sup>(b)</sup>:
  - 0.3.1. Location of that marking:
- 0.4. Category of vehicle<sup>(c)</sup>:
- 0.5. Name and address of manufacturer:
- 0.8. Address(es) of assembly plant(s):
- 0.9. Name and address of the manufacturer's representative (if any):

#### 1. GENERAL CONSTRUCTION CHARACTERISTICS OF THE VEHICLE U.K.

- 1.1. Photographs and/or drawings of a representative vehicle:
- 1.3. Number of axles and wheels:
  - 1.3.1. Number and position of axles with twin wheels:
  - 1.3.2. Number and position of steered axles:

#### 2. MASSES AND DIMENSIONS<sup>(f)(g)</sup> U.K. (in kg and mm) (Refer to drawing where applicable)

- 2.1. Wheelbase(s) (fully loaded)<sup>(g)(l)</sup>:
- 2.6. Mass in running order (maximum and minimum for each variant) Mass of the vehicle with bodywork and, in the case of a towing vehicle of category other than M<sub>1</sub>, with coupling device, if fitted by manufacturer, in running order, or mass of the chassis or

---

**Changes to legislation:** There are outstanding changes not yet made to Commission Regulation (EU) No 109/2011. Any changes that have already been made to the legislation appear in the content and are referenced with annotations. (See end of Document for details) View outstanding changes

---

chassis with cab, without bodywork and/or coupling device if the manufacturer does not fit the bodywork and/or coupling device (including liquids, tools, spare wheel, if fitted, and driver and, for buses and coaches, a crew member if there is a crew seat in the vehicle)<sup>(h)</sup> (maximum and minimum for each variant):

2.6.1. Distribution of this mass among the axles and, in the case of a semi-trailer or centre-axle trailer, load on the coupling point (maximum and minimum for each variant):

2.8. Technically permissible maximum laden mass stated by the manufacturer<sup>(i)(3)</sup>:

9. BODYWORK **U.K.**

9.20. Spray-suppression system:

9.20.0. Presence: yes/no/incomplete<sup>(1)</sup>:

9.20.1. Brief description of the vehicle with regard to its spray-suppression system and the constituent components:

9.20.2. Detailed drawings of the spray-suppression system and its position on the vehicle showing the dimensions specified in the Figures in Annex VI to Regulation (EU) No 109/2011 and taking account of the extremes of tyre/wheel combinations:

9.20.3. Approval number(s) of spray-suppression device(s), if available:

Date, Signature

PART 2 MODEL(maximum format: A4 (210 × 297 mm))EC TYPE-APPROVAL CERTIFICATE

Stamp of approval authority

Communication concerning:

—	EC type-approval <sup>a</sup>	of a type of vehicle with regard to its spray suppression systems
—	extension of EC type-approval <sup>a</sup>	
—	refusal of EC type-approval <sup>a</sup>	
—	withdrawal of EC type-approval <sup>a</sup>	

with regard to Regulation (EU) No .../... as last amended by Regulation (EU) No .../...<sup>a</sup>

EC type-approval number:

Reason for extension:

<sup>a</sup> Delete where not applicable.

SECTION I0.1.

Make (trade name of manufacturer):

0.2.

Type:

0.2.1.

Commercial name(s) (if available):

---

**Changes to legislation:** There are outstanding changes not yet made to Commission Regulation (EU) No 109/2011. Any changes that have already been made to the legislation appear in the content and are referenced with annotations. (See end of Document for details) [View outstanding changes](#)

---

0.3.

Means of identification of type, if marked on the vehicle<sup>(6)</sup>:

0.3.1.

Location of that marking:

0.4.

Category of vehicle<sup>(7)</sup>:

0.5.

Name and address of manufacturer:

0.8.

Name(s) and address(es) of assembly plant(s):

0.9.

Name and address of the manufacturer's representative (if any):

SECTION III.

Additional information: see Addendum.

2.

Technical service responsible for carrying out the tests:

3.

Date of test report:

4.

Number of test report:

5.

Remarks (if any): see Addendum.

6.

Place:

7.

Date:

8.

Signature:

9.

The index to the information package lodged with the approval authority, which may be obtained on request, is attached.



---

**Changes to legislation:** There are outstanding changes not yet made to Commission Regulation (EU) No 109/2011. Any changes that have already been made to the legislation appear in the content and are referenced with annotations. (See end of Document for details) View outstanding changes

---

## Addendum **U.K.**

to EC type-approval certificate No

1. Additional information
- 1.1. Characteristics of the spray suppression devices (type, brief description, trade mark or name, component type-approval number(s):
5. Remarks (if any):

## ANNEX II **U.K.**

### **ADMINISTRATIVE DOCUMENTS FOR EC TYPE-APPROVAL OF SPRAY SUPPRESSION SYSTEMS AS SEPARATE TECHNICAL UNITS**

#### *PART I* **U.K.**

#### **Information document**

#### MODEL

Information document No ... relating to the EC type-approval as a separate technical unit of spray suppression systems.

The following information shall be supplied in triplicate and include a list of contents. Any drawings shall be supplied in appropriate scale and in sufficient detail on size A4 or on a folder of A4 format. Photographs, if any, shall show sufficient detail.

If the systems, components or separate technical units referred to in this information document have electronic controls, information concerning their performance shall be supplied.

0. GENERAL **U.K.**
- 0.1. Make (trade name of manufacturer):
- 0.2. Type:
- 0.5. Name and address of manufacturer:
- 0.7. In the case of components and separate technical units, location and method of affixing of the EC approval mark:
- 0.8. Address(es) of assembly plant(s):
- 0.9. Name and address of the manufacturer's representative (if any):
1. DESCRIPTION OF THE DEVICE **U.K.**
- 1.1. A technical description of the spray suppression device indicating its physical operating principle and the relevant test to which it must be subject:
- 1.2. The materials used:

---

**Changes to legislation:** There are outstanding changes not yet made to Commission Regulation (EU) No 109/2011. Any changes that have already been made to the legislation appear in the content and are referenced with annotations. (See end of Document for details) View outstanding changes

---

- 1.3. Drawing(s) in sufficient detail and to an appropriate scale to enable this (or these) to be identified. The drawing must show the space intended for the EC component type-approval mark:

Date

Signed

PART 2 MODEL(maximum format: A4 (210 × 297 mm))EC TYPE-APPROVAL CERTIFICATE

Stamp of approval authority

Communication concerning:

—	EC type-approval <sup>a</sup>	of a type of spray suppression system as a component/separate technical unit
—	extension of EC type-approval <sup>a</sup>	
—	refusal of EC type-approval <sup>a</sup>	
—	withdrawal of EC type-approval <sup>a</sup>	

with regard to Regulation (EU) No .../..., as last amended by Regulation (EU) No .../...<sup>a</sup>

EC type-approval number:

Reason for extension:

<sup>a</sup> Delete where not applicable.

#### SECTION I0.1.

Make (trade name of manufacturer)

0.2.

Type:

0.3.

Means of identification of type, if marked on the separate technical unit<sup>(8)</sup>:

0.3.1.

Location of that marking:

0.5.

Name and address of manufacturer:

0.7.

Location and method of affixing of the EC approval mark:

0.8.

Name(s) and address(es) of assembly plant(s):

0.9.

Name and address of the manufacturer's representative (if any):

#### SECTION III.

Additional information (where applicable): see Addendum.

2.

---

**Changes to legislation:** There are outstanding changes not yet made to Commission Regulation (EU) No 109/2011. Any changes that have already been made to the legislation appear in the content and are referenced with annotations. (See end of Document for details) View outstanding changes

---

Technical service responsible for carrying out the tests:

3.

Date of test report:

4.

Number of test report:

5.

Remarks (if any): see Addendum.

6.

Place:

7.

Date:

8.

Signature:

9.

The index to the information package lodged with the approval authority, which may be obtained on request, is attached.

Addendum **U.K.**

to EC type-approval certificate No

1. Additional information
  - 1.1. Operating principle of device: energy-absorption/air/water separator<sup>(9)</sup>:
  - 1.2. Characteristics of spray suppression devices (brief description, trademark or name, number(s):
5. Remarks (if any):

*PART 3* **U.K.**

### **EC separate technical unit type-approval mark**

1. The EC separate technical unit type-approval mark shall consist of:
  - 1.1. A rectangle surrounding the lower-case letter 'e' followed by the distinguishing number of the Member State which has granted the EC separate technical unit type-approval:
    - 1 for Germany
    - 2 for France
    - 3 for Italy
    - 4 for The Netherlands
    - 5 for Sweden

---

**Changes to legislation:** There are outstanding changes not yet made to Commission Regulation (EU) No 109/2011. Any changes that have already been made to the legislation appear in the content and are referenced with annotations. (See end of Document for details) View outstanding changes

---

- 6 for Belgium
- 7 for Hungary
- 8 for the Czech Republic
- 9 for Spain
- 11 for the United Kingdom
- 12 for Austria
- 13 for Luxembourg
- 17 for Finland
- 18 for Denmark
- 19 for Romania
- 20 for Poland
- 21 for Portugal
- 23 for Greece
- 24 for Ireland
- 25 [F<sup>2</sup>for Croatia]
- 26 for Slovenia
- 27 for Slovakia
- 29 for Estonia
- 32 for Latvia
- 34 for Bulgaria
- 36 for Lithuania
- 49 for Cyprus
- 50 for Malta

#### Textual Amendments

- F2** Inserted by Commission Regulation (EU) No 519/2013 of 21 February 2013 adapting certain regulations and decisions in the fields of free movement of goods, freedom of movement for persons, right of establishment and freedom to provide services, company law, competition policy, agriculture, food safety, veterinary and phytosanitary policy, fisheries, transport policy, energy, taxation, statistics, social policy and employment, environment, customs union, external relations, and foreign, security and defence policy, by reason of the accession of Croatia.

- 1.2. In the vicinity of the rectangle the ‘base approval number’ contained in Section 4 of the type-approval number preceded by the two figures indicating the sequence number assigned to this Regulation or latest major technical amendment to this Regulation. The sequence number is ‘00’ at present.

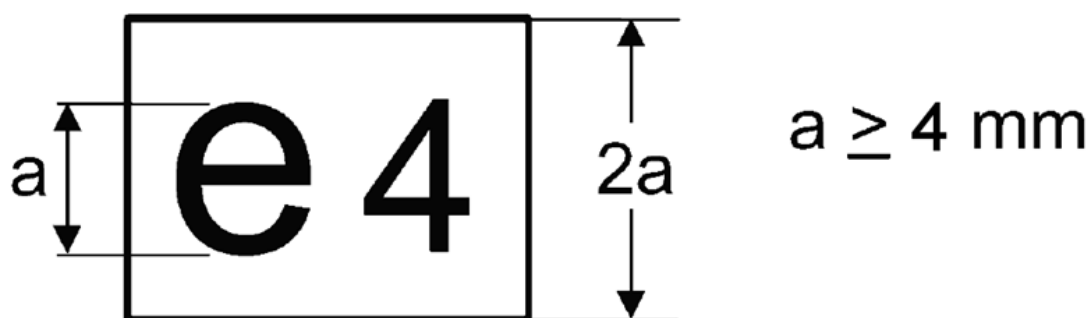
---

**Changes to legislation:** There are outstanding changes not yet made to Commission Regulation (EU) No 109/2011. Any changes that have already been made to the legislation appear in the content and are referenced with annotations. (See end of Document for details) View outstanding changes

---

2. The EC separate technical unit type-approval mark shall be affixed to the spray suppression device in such a way as to be indelible as well as clearly and easily legible even if the device is fitted to a vehicle.

3. An example of an EC separate technical unit type-approval mark is shown as follows.  
**Example of EC separate technical unit type-approval mark**



*Explanatory note*

**Legend** The EC separate technical unit type-approval was issued by The Netherlands under number 0046. The first two digits '00' indicate that the separate technical unit was approved according to this Regulation. The symbol 'A' indicates it is a device of the energy-absorption type.

ANNEX III U.K.

PART 1 U.K.

### Requirements for spray suppression devices

0. GENERAL SPECIFICATIONS U.K.

---

*Changes to legislation:* There are outstanding changes not yet made to Commission Regulation (EU) No 109/2011. Any changes that have already been made to the legislation appear in the content and are referenced with annotations. (See end of Document for details) View outstanding changes

---

0.1. Spray-suppression devices must be constructed in such a way that they operate properly when used normally on wet roads. Moreover, they must incorporate no structural or manufacturing defect detrimental to their proper functioning or behaviour.

1. TESTS TO BE CARRIED OUT **U.K.**

1.1. Depending on their physical operating principle spray-suppression devices are subjected to the relevant tests as described in Parts 2 and 3 and must deliver the results required in point 5 of those Parts.

2. APPLICATION FOR EC COMPONENT TYPE-APPROVAL **U.K.**

2.1. The application for EC component type-approval pursuant to Article 7 of Directive 2007/46/EC of a type of spray-suppression device shall be submitted by the manufacturer.

2.2. A model for the information document is set out in Part 1 of Annex II.

2.3. The following shall be submitted to the technical service responsible for conducting the type-approval tests:

Four samples: three of which are for tests and a fourth is to be kept by the laboratory for any subsequent verification. The test laboratory may require further samples.

2.4. **Markings** **U.K.**

2.4.1. Each sample must be clearly and indelibly marked with the trade name or mark and an indication of the type and include a space that is large enough for the EC component type-approval mark.

2.4.2. A symbol 'A' for devices of the energy-absorption type or 'S' for devices of the air/water separator type shall be added to the approval mark in accordance with point 1.3 of the Appendix of Annex VII to Directive 2007/46/EC.

PART 2 **U.K.**

**Tests on spray-suppression devices of the energy-absorber type**

1. PRINCIPLE **U.K.**

The aim of this test is to quantify the ability of a device to retain the water directed against it by a series of jets. The test assembly is intended to reproduce the conditions under which the device is to function when fitted to a vehicle as regards the volume and speed of the water thrown up from the ground by the tyre tread.

2. EQUIPMENT **U.K.**

See Figure 8 in Annex VI for a description of the test assembly.

3. TEST CONDITIONS **U.K.**

3.1. The tests must be carried out in a closed room with a still-air environment.

3.2. The ambient temperature and the temperature of the test pieces must be 21 (± 3) °C.

3.3. De-ionised water is to be used.

---

*Changes to legislation: There are outstanding changes not yet made to Commission Regulation (EU) No 109/2011. Any changes that have already been made to the legislation appear in the content and are referenced with annotations. (See end of Document for details) View outstanding changes*

---

3.4. The test pieces must be prepared for each test by wetting.

#### 4. PROCEDURE **U.K.**

4.1. Secure a 500 (+ 0/- 5) mm wide 750 mm high sample of the equipment to be tested to the vertical plate of the testing equipment, making sure that the sample lies well within the limits of the collector, and that no obstacle is able to deflect the water, either before or after its impact.

4.2. Set the water flow rate at 0,675 (+/- 0,01) l/s and direct at least 90 l, at most 120 l on to the sample from a horizontal distance of 500 (+/- 2) mm (Figure 8 of Annex VI).

4.3. Allow the water to trickle from the sample into the collector. Calculate the percentage of water collected versus the quantity of water sprayed.

4.4. Carry out the test five times on the sample according to points 4.2 and 4.3. Calculate the average percentage of the series of five tests.

#### 5. RESULTS **U.K.**

5.1. The average percentage calculated in point 4.4 must be 70 % or higher.

5.2. If within a series of five tests the highest and lowest percentages of water collected depart from the average percentage by more than 5 %, the series of five tests must be repeated.

If within a second series of five tests the highest and lowest percentages of water recovered again depart from the average percentage by more than 5 % and if the lower value does not satisfy the requirements of point 5.1, type-approval shall be refused.

5.3. Test whether the vertical position of the device influences the results obtained. If it is the case, the procedure described in points 4.1 to 4.4 must be repeated in the positions giving the highest and lowest percentage of water collected; the requirements of point 5.2 remain in force.

The mean of the individual results shall then be taken to give the average percentage. This average percentage must be 70 or higher.

### PART 3 **U.K.**

#### **Test on spray-suppression devices of the air/water separator type**

##### 1. PRINCIPLE **U.K.**

This test is intended to determine the effectiveness of a porous material intended to retain the water with which it has been sprayed by means of a pressurised air/water pulveriser.

The equipment used for the test must simulate the conditions to which the material would be submitted, with regard to the volume and speed of the water sprays produced by the tyres, if it were fitted to a vehicle.

##### 2. EQUIPMENT **U.K.**

See Figure 9 in Annex VI for a description of the test assembly.

##### 3. TEST CONDITIONS **U.K.**

---

**Changes to legislation:** There are outstanding changes not yet made to Commission Regulation (EU) No 109/2011. Any changes that have already been made to the legislation appear in the content and are referenced with annotations. (See end of Document for details) View outstanding changes

---

- 3.1. The tests must be carried out in a closed room with a still-air environment.
- 3.2. The ambient temperature and the temperature of the test pieces must be 21 ( $\pm$  3) °C.
- 3.3. De-ionised water must be used.
- 3.4. The test pieces must be prepared for each test by wetting.
4. **PROCEDURE** **U.K.**
  - 4.1. Secure a 305 × 100 mm sample vertically in the test assembly, check that there is no space between the sample and the upper curved plate and that the tray is properly in position. Fill the pulveriser tank with 1 ± 0,005 litres of water and place this as described in the diagram.
  - 4.2. The pulveriser must be regulated as follows:
 

pressure pulveriser)	(at	:	5 bar + 10 %/- 0 %
flowrate	:	:	1 litre/minute ± 5 seconds
pulverisation	:	:	circular, 50 ± 5 mm in diameter at 200 ± 5 mm from the sample, nozzle 5 ± 0,1 mm in diameter.
  - 4.3. Pulverise until there is no more water mist and note the time taken. Let the water flow out of the sample on to the tray for 60 seconds and measure the volume of water collected. Measure the quantity of water left in the pulveriser tank. Calculate the percentage by volume of water collected versus the volume of water pulverised.
  - 4.4. Carry out the test five times and calculate the average percentage of the quantity collected. Check before each test that the tray, pulveriser tank and measuring vessel are dry.
5. **RESULTS** **U.K.**
  - 5.1. The average percentage calculated in point 4.4 must be 85 % or higher.
  - 5.2. If within a series of five tests the highest and lowest percentages of water collected depart from the average percentage by more than 5 %, the series of five tests must be repeated. If within a second series of five tests the highest and lowest percentages of water recovered again depart from the average percentage by more than 5 %, and if the lower value does not satisfy the requirements of point 5.1, type-approval shall be refused.
  - 5.3. Where the vertical position of the device influences the results obtained, the procedure described in points 4.1 to 4.4 must be repeated in the positions giving the highest and lowest percentages of water collected; the requirements of point 5.2 remain in force.

The requirement of point 5.1 remains in force in order to give the results of each test.

## ANNEX IV **U.K.**

### **Requirements for type-approval of vehicles with regard to their spray suppression systems**

0. **GENERAL** **U.K.**



---

**Changes to legislation:** There are outstanding changes not yet made to Commission Regulation (EU) No 109/2011. Any changes that have already been made to the legislation appear in the content and are referenced with annotations. (See end of Document for details) View outstanding changes

---

- [<sup>F10</sup>0.1. Category N and O vehicles, with the exception of off-road vehicles as defined in Annex II to Directive 2007/46/EC, shall be constructed and/or fitted with spray suppression systems in such a way as to meet the requirements laid down in this Annex. In the case of chassis/cab vehicles, these requirements may only be applied to the wheels covered by the cab.

At the manufacturer's discretion, for vehicles of category N<sub>1</sub>, N<sub>2</sub> with a permissible maximum laden mass not exceeding 7,5 tonnes, O<sub>1</sub> and O<sub>2</sub>, the requirements of Commission Regulation (EU) No 1009/2010<sup>(10)</sup> as set out for vehicle category M<sub>1</sub> may be applied instead of the requirements of this Annex. In such a case, the information document shall include all the particulars relevant to wheel guards as laid down in Article 3(2) of that Regulation.]

- 0.2. The requirements of this Annex relating to spray-suppression devices, as defined in Article 2(4), are not mandatory for categories N, O<sub>1</sub> and O<sub>2</sub> vehicles with a permissible maximum laden mass not exceeding 7,5 tonnes, chassis/cab vehicles, unbodied vehicles or vehicles on which the presence of spray-suppression devices would be incompatible with their use. However, if such devices are fitted to those vehicles, they must conform to the requirements of this Regulation.
1. A vehicle representative of the vehicle type to be approved, fitted with its spray-suppression system, must be submitted to the technical service conducting the approval tests.

#### GENERAL REQUIREMENTS

#### 2. AXLES **U.K.**

##### 2.1. Retractable axles **U.K.**

Where a vehicle is fitted with one or more retractable axles, the spray-suppression system must cover all the wheels when the axle is lowered and the wheels in contact with the ground when the axle is raised.

##### 2.2. Self-tracking axles **U.K.**

For the purpose of this Regulation, a self-tracking axle of the 'pivot steering' type is considered to be, and treated as, an axle fitted with steered wheels.

Where a vehicle is fitted with a self-tracking axle, the spray-suppression system must satisfy the conditions applicable to non-steered wheels if mounted on the pivoting part. If not mounted on that part it must satisfy the conditions that are applicable to steered wheels.

#### 3. POSITION OF OUTER VALANCE **U.K.**

The distance 'c' between the longitudinal plane tangential to the outer tyre wall, apart from any tyre bulge near the ground, and the inner edge of the valance must not exceed 100 mm (Figures 1a and 1b of Annex VI).

#### 4. STATE OF VEHICLE **U.K.**

For the checking of compliance with this Regulation the vehicle must be in the following state:

- (a) it must be unladen and with the wheels in the straight-ahead position;
- (b) in the case of semi-trailers, the loading surfaces must be horizontal;
- (c) the tyres must be inflated to their normal pressure.

---

**Changes to legislation:** There are outstanding changes not yet made to Commission Regulation (EU) No 109/2011. Any changes that have already been made to the legislation appear in the content and are referenced with annotations. (See end of Document for details) View outstanding changes

---

## 5. SPRAY-SUPPRESSION SYSTEMS **U.K.**

- 5.1. The spray-suppression system must meet the specifications set out in point 6 or 8.
- 5.2. The spray-suppression system for non-steered or self-steered wheels that are covered by the bodywork floor, or by the lower part of the load platform, must meet either the specifications set out in point 6 or 8 or else those in point 7.

### SPECIFIC REQUIREMENTS

6. Requirements concerning energy-absorption spray suppression systems for axles fitted with steered or self-steering or non-steered wheels.

#### 6.1. **Mudguards** **U.K.**

- 6.1.1. The mudguards must cover the zone immediately above, ahead and behind the tyre or tyres in the following manner:

- (a) in the case of a single or multiple axle, the forward edge (C) must extend forwards to reach a line O-Z where  $\Theta$  (theta) is no more than  $45^\circ$  above the horizontal.

The rearmost edge (Figure 2 of Annex VI) must extend downwards in such a way as not to be more than 100 mm above a horizontal line passing through the centre of the wheel;

- (b) in the case of multiple axles the angle  $\Theta$  relates only to the foremost axle and the requirement relating to the height of the rearmost edge applies only to the rearmost axle;

- (c) the mudguard must possess a total width 'q' (Figure 1a of Annex VI) at least adequate to cover the width of the tyre 'b' or the entire width of two tyres 't' in the case of twin wheels, account being taken of the extremes for the tyre/wheel unit specified by the manufacturer. Dimensions 'b' and 't' shall be measured at hub height, excluding any markings, ribs, protective bands, etc., on the tyre walls.

- 6.1.2. The front side of the rear part of the mudguard must be fitted with a spray-reduction device complying with the specifications set out in Part 2 of Annex III. This material must cover the inside of the mudguard up to a height determined by a straight line running from the centre of the wheel and forming an angle of at least  $30^\circ$  with the horizontal (Figure 3 of Annex VI).

- 6.1.3. If the mudguards are made up of several components, when fitted, they must not incorporate any aperture enabling spray to exit while the vehicle is in motion. This requirement is deemed to be met if, when the vehicle is either laden or unladen, any radial jet running outwards from the wheel centre over the entire width of the tyre running surface and within the range covered by the mudguard always strikes against a part of the spray suppression system.

#### 6.2. **Outer valances** **U.K.**

- 6.2.1. In the case of single axles, the lower edge of the outer valance may not be situated beyond the following distances and radii, as measured from the centre of the wheel, except at the lowest extremities that may be rounded (Figure 2 of Annex VI).

*Air suspension:*

- 
- |   |                  |
|---|------------------|
| (a) Axles fitted with steered wheels or self-steering wheels: | $R_v \leq 1,5 R$ |
|---|------------------|

---

**Changes to legislation:** There are outstanding changes not yet made to Commission Regulation (EU) No 109/2011. Any changes that have already been made to the legislation appear in the content and are referenced with annotations. (See end of Document for details) View outstanding changes

---

	From the front edge (towards the front of the vehicle) (tip C) To the rear edge (towards the rear of the vehicle) (tip A)	
(b)	Axles fitted with non-steered wheels: From the front edge (tip C) To the rear edge (tip A)	$R_v \leq 1,25 R$

### Mechanical suspension

- (a) general case}  $R_v \leq 1,8 R$
- (b) non-steered wheels for vehicles with a technically permissible laden mass more than 7,5 t}  $R_v \leq 1,5 R$

where R is the radius of the tyre fitted to the vehicle, and  $R_v$  the distance, expressed as a radius, at which the lower edge of the outer valence is situated.

- 6.2.2. In the case of multiple axles the requirements laid down in point 6.2.1 do not apply between the vertical transversal planes passing through the centre of the first and the last axles where the outer valance may be straight in order to ensure the continuity of the spray suppression system. (Figure 4 of Annex VI).
- 6.2.3. The distance between the uppermost and the lowermost points of the spray suppression system (mudguard and outer valance) measured in any cross section perpendicular to the mudguard (see Figures 1b and 2 in Annex VI) must extend to not less than 45 mm at all points behind a vertical line passing through the centre of the wheel or the first wheel in the case of multiple axles. This dimension may be gradually reduced in front of this line.
- 6.2.4. No openings enabling spray to emerge when the vehicle is moving are allowed in the outer valances or between the outer valances and the other parts of the mudguards.
- 6.2.5. The requirements of points 6.2.3 and 6.2.4 may not be respected locally when the valance is composed by different elements with relative movement.
- 6.2.6. Tractors for semi-trailers with a low chassis, namely those which may have a height of coupling face (defined in point 6.20 of standard ISO 612 of 1978) equal to or less than 1 100 mm, may be designed in such a way as to be exempted from the requirements of points 6.1.1(a), 6.1.3 and 6.2.4. In this regard, mudguards and valances may not cover the area immediately above the tyres of the rear axles, when these tractors are coupled to a semi-trailer, in order to avoid the spray-suppression system being destroyed. However, the mudguards and valances of these vehicles must conform to the requirements of the above points, in sectors more than 60° from the vertical line passing through the centre of the wheel, in front and behind these tyres.

Those vehicles must therefore be designed in such a way as to meet the requirements set out in the first paragraph when they are operated without a semi-trailer.

In order to be able to meet those requirements, mudguards and valances may, for example, comprise a removable part.

### 6.3. Rain flaps U.K.

---

*Changes to legislation: There are outstanding changes not yet made to Commission Regulation (EU) No 109/2011. Any changes that have already been made to the legislation appear in the content and are referenced with annotations. (See end of Document for details) View outstanding changes*

---

- 6.3.1. The width of the flap must fulfil the requirement for ‘q’ in point 6.1.1(c), except for any part of the flap that is contained within the mudguards. In such cases this part of the flap must be at least equal in width to the tread of the tyre.

The width of the part of the rain flaps positioned beneath the mudguard must satisfy the condition laid down in this paragraph with a tolerance of  $\pm 10$  mm at each side.

- 6.3.2. The orientation of the flap must be basically vertical.
- 6.3.3. The maximum height of the bottom edge must not exceed 200 mm (Figure 3 of Annex VI).

This distance is increased to 300 mm in the case of the last axle where the radial distance of the lower edge of the outer valancing,  $R_v$ , does not exceed the dimensions of the radius of the tyres fitted to the wheels on that axle.

The maximum height of the bottom edge of the rain flap in relation to the ground, may be raised to 300 mm if the manufacturer deems it technically appropriate with regard to the suspension characteristics.

- 6.3.4. The rain flap must not be more than 300 mm from the rearmost edge of the tyre, measured horizontally.
- 6.3.5. In the case of multiple axles where distance  $d$  between the tyres on adjacent axles is less than 250 mm, only the rear set of wheels must be fitted with rain flaps. There must be a rain flap behind each wheel when distance  $d$  between the tyres on adjacent axles is at least 250 mm (Figure 4 of Annex VI).
- 6.3.6. Rain flaps must not be deflected by more than 100 mm towards the rear under a force of 3 N per 100 mm of flap width, applied to a point located 50 mm above the lower edge of the flaps.
- 6.3.7. The whole of the front face of the part of the rain flap having the minimum dimensions required must be fitted with a spray-suppression device that meets the specifications set out in Part 2 of Annex III.
- 6.3.8. No openings enabling spray to emerge are allowed between the lower rear edge of the mudguard and the rain flaps.
- 6.3.9. Where the spray-suppression device meets the specifications relating to rain flaps (point 6.3), no additional rain flap is required.

7. Requirements relating to spray-suppression systems fitted with energy-absorption spray-suppression devices for certain axles that are fitted with non-steered or self-steering wheels (see point 5.2).

7.1. **Mudguards** **U.K.**

- 7.1.1. Mudguards must cover the zone immediately above the tyre or tyres. Their front and rear extremities must extend at least to the horizontal plane that is tangent to the upper edge of the tyre or tyres (Figure 5 of Annex VI). However, the rear extremity may be replaced by the rain flap, in which case this must extend to the upper part of the mudguard (or equivalent component).
- 7.1.2. All of the inner rear part of the mudguard must be fitted with a spray-suppression device that meets the requirements set out in Part 2 of Annex III.

---

**Changes to legislation:** There are outstanding changes not yet made to Commission Regulation (EU) No 109/2011. Any changes that have already been made to the legislation appear in the content and are referenced with annotations. (See end of Document for details) View outstanding changes

---

## 7.2. Outer valances **U.K.**

7.2.1. In the case of single or multiple axles where the distance between the adjacent tyres is at least 250 mm, the outer valance must cover the surface extending from the lower to the upper part of the mudguard up to a straight line formed by the tangent to the upper edge of the tyre or tyres and lying between the vertical plane formed by the tangent to the front of the tyre and the mudguard or rain flap located behind the wheel or wheels (Figure 5b of Annex VI).

In the case of multiple axles an outer valance must be located by each wheel.

7.2.2. No openings enabling spray to emerge are allowed between the outer valance and the inner part of the mudguard.

7.2.3. Where rain flaps are not fitted behind each wheel (see point 6.3.5), the outer valance must be unbroken between the outer edge of the rain flap to the vertical plane that is tangent to the point furthest to the front of the tyre (Figure 5a of Annex VI) of the first axle.

7.2.4. The entire inner surface of the outer valance, the height of which must not be less than 100 mm, must be fitted with an energy-absorption spray-suppression device complying with the requirements of Part 2 of Annex III.

7.3. These flaps must extend to the lower part of the mudguard and comply with points 6.3.1 to 6.3.9.

8. Requirements concerning spray-suppression systems fitted with air/water separator spray-suppression devices for axles with steered and non-steered wheels.

## 8.1. Mudguards **U.K.**

8.1.1. Mudguards must comply with the requirements of point 6.1.1(c).

8.1.2. Mudguards for single or multiple axles where the distance between the tyres on adjacent axles exceeds 300 mm must also comply with point 6.1.1(a).

8.1.3. In the case, of multiple axles where the distance between the tyres on adjacent axles does not exceed 300 mm the mudguards must also conform to the model shown in Figure 7.

## 8.2. Outer valances **U.K.**

8.2.1. The lower edges of the outer valances must be fitted with air/water separator spray-suppression devices complying with the requirements of Part 3 of Annex III.

8.2.2. In the case of single or multiple axles where the distance between the tyres on adjacent axles exceeds 300 mm, the lower edge of the spray-suppression device fitted to the outer valance must have the following maximum dimensions and radii, starting from the centre of the wheel (Figures 6 and 7 of Annex VI):

(a) Axles fitted with steered wheels or self-steering wheels: from the front edge (towards the front of the vehicle) (tip C at 30°) to the rear edge (towards the rear of the vehicle) (tip A at 100 mm)	$R_v \leq 1,05 R$
--	-------------------

---

**Changes to legislation:** There are outstanding changes not yet made to Commission Regulation (EU) No 109/2011. Any changes that have already been made to the legislation appear in the content and are referenced with annotations. (See end of Document for details) View outstanding changes

---

(b) Axles fitted with non-steered wheels: from the front edge (tip C at 20°) to the rear edge (tip A at 100 mm)	$R_v \leq 1,00 R$
---	-------------------

where

R = is the radius of tyre fitted to the vehicle;  
 $R_v$  = the radial distance from the lowest edge of the outer valance to the centre of the wheel.

8.2.3. In the case of multiple axles where the distance between the tyres on adjacent axles does not exceed 300 mm, the outer valances located in the inter-axle spaces must follow the path specified in point 8.1.3, and must extend downwards in such a way as not to be more than 100 mm above a horizontal straight line passing through the wheel centres (Figure 7 of Annex VI).

8.2.4. The depth of the outer valance must extend to not less than 45 mm, at all points behind a vertical line passing through the centre of the wheel. This depth may be gradually reduced in front of this line.

8.2.5. No openings enabling spray to emerge are allowed in the outer valances or between the outer valances and the mudguards.

### 8.3. **Rain flaps** U.K.

8.3.1. Rain flaps must:

(a) comply with point 6.3 (Figure 3 of Annex VI); or

(b) comply with points 6.3.1, 6.3.2, 6.3.5, 6.3.8 and 8.3.2 (Figure 6 of Annex VI).

8.3.2. Spray suppression equipment complying with the specifications set out in Annex IV, must be fitted to the rain flaps referred to in point 8.3.1(b), at least along the full edge.

8.3.2.1. The lower edge of the spray-suppression device must be not more than 200 mm from the ground.

The maximum height of the bottom edge of the rain flap in relation to the ground, may be raised to 300 mm if the manufacturer deems it technically appropriate with regard to the suspension characteristics.

8.3.2.2. The spray-suppression device must be at least 100 mm deep.

8.3.2.3. Apart from the lower part, which includes the spray-suppression device, the rain flap as referred to in point 8.3.1(b) must not bend by more than 100 mm towards the rear under the effect of a force of 3 N per 100 mm of width of the rain flap measured at the intersection of the rain flap with the spray-suppression device in its working position, applied at a distance of 50 mm above the lower edge of the rain flap.

8.3.3. The rain flap must not be more than 200 mm from the rearmost edge of the tyre, measured horizontally.

9. In the case of multiple axles, the spray-suppression system of one axle, which is not the furthest back, may not need to cover the entire width of the tread of the tyre when there is, locally, the possibility of interference between the spray-suppression system and the structure of the axles or of the suspension or of the undercarriage.



---

**Changes to legislation:** There are outstanding changes not yet made to Commission Regulation (EU) No 109/2011. Any changes that have already been made to the legislation appear in the content and are referenced with annotations. (See end of Document for details) View outstanding changes

---

## ANNEX V U.K.

### Conformity of production and cessation of production

#### 1. Conformity of production U.K.

- 1.1. Any spray-suppression device bearing the EC component type-approval mark must conform to the type that has been approved. The authority issuing the EC type-approval mark keeps one sample which, together with the EC component type-approval certificate, may be used to establish whether the devices marketed which bear the EC component type-approval mark meet the stated requirements.
- 1.2. A type of device is defined by the model and descriptive documents lodged at the time of application for EC component type-approval. Devices whose characteristics are identical to those of the pattern device and whose other components do not differ from those of the pattern device except for variants not affecting the properties referred to in this Annex may be considered as belonging to the same type.
- 1.3. The manufacturer carries out routine checks in order to guarantee the conformity of production of the type that has been approved. U.K.

To this end the manufacturer must either have available a laboratory which is sufficiently well-equipped for the execution of the essential tests, or have the production-conformity tests carried out by an approved laboratory.

The results of the production conformity checks are made available for inspection by the competent authorities for at least 1 year.

- 1.4. The competent authorities may also conduct spot checks.
- 1.5. Conformity of production with the type of device that has been approved must be checked under the conditions and in accordance with the methods provided for in Annex III. U.K.

At the request of the authorities which have granted component type-approval, manufacturers shall provide them with devices of the type previously type-approved for the purpose of tests or conformity checks.

- 1.6. Devices are deemed to conform if 9 out of 10 samples chosen at random satisfy the requirements of point 4 of Part 2 and point 4 of Part 3 of Annex III.
- 1.7. If the condition specified in point 1.6 is not satisfied, a further 10 samples chosen at random must be examined. U.K.

The average of all measurements taken must be in conformity with the specifications of point 4 of Part 2 and point 4 of Part 3 of Annex III, and no individual measurement must be less than 95 % of the value specified.

#### 2. Cessation of production U.K.

An EC component type-approval holder ceasing production must forthwith inform the competent authorities of that fact.

**Changes to legislation:** There are outstanding changes not yet made to Commission Regulation (EU) No 109/2011. Any changes that have already been made to the legislation appear in the content and are referenced with annotations. (See end of Document for details) View outstanding changes

## ANNEX VI U.K.

## FIGURES

Figure 1a

**Width (q) of mudguard (a) and position of valance (j)**

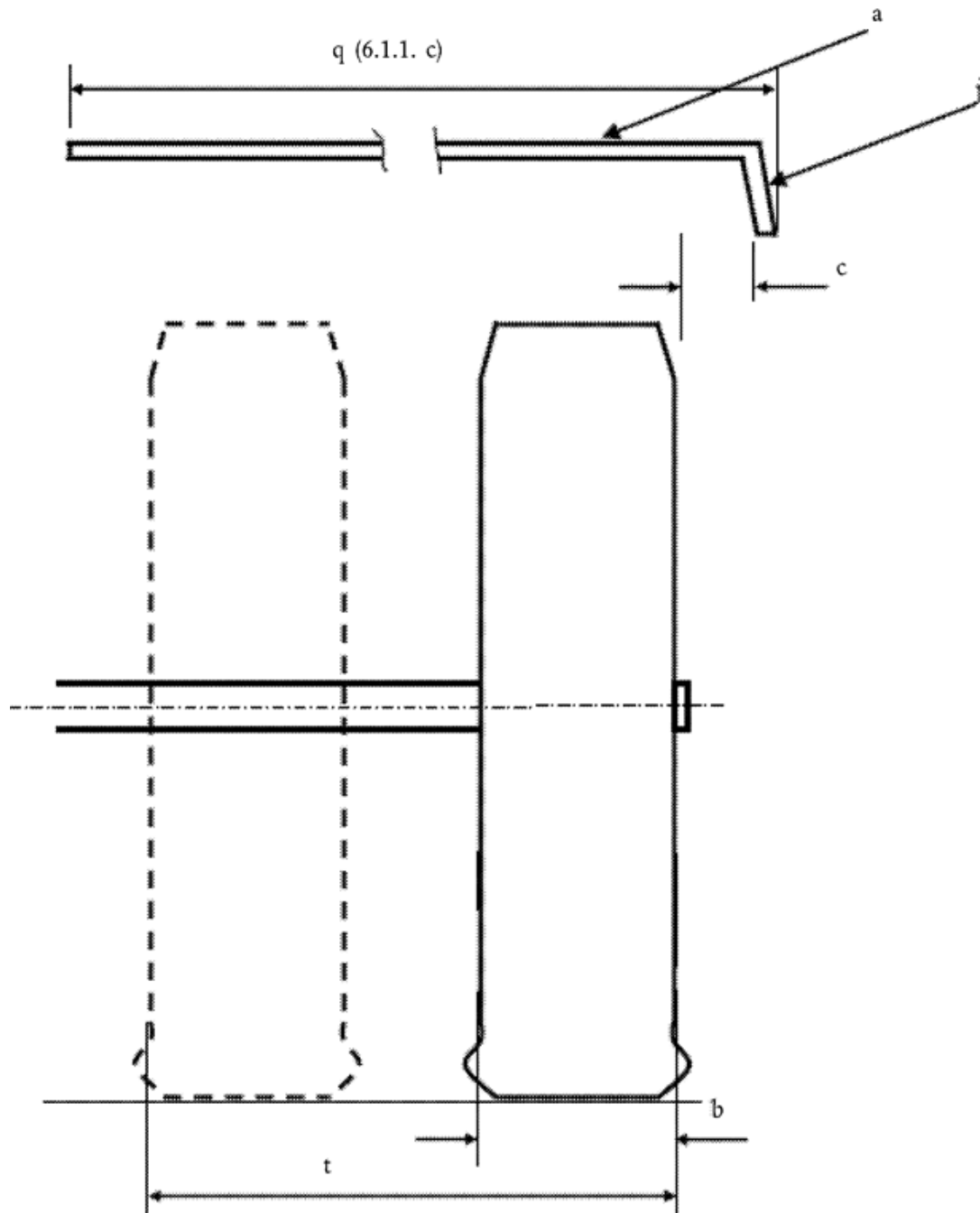


Figure 1b



**Changes to legislation:** There are outstanding changes not yet made to Commission Regulation (EU) No 109/2011. Any changes that have already been made to the legislation appear in the content and are referenced with annotations. (See end of Document for details) View outstanding changes

### Example of measurement of the outer valance



Figure 2

### Dimensions of mudguard and outer valance

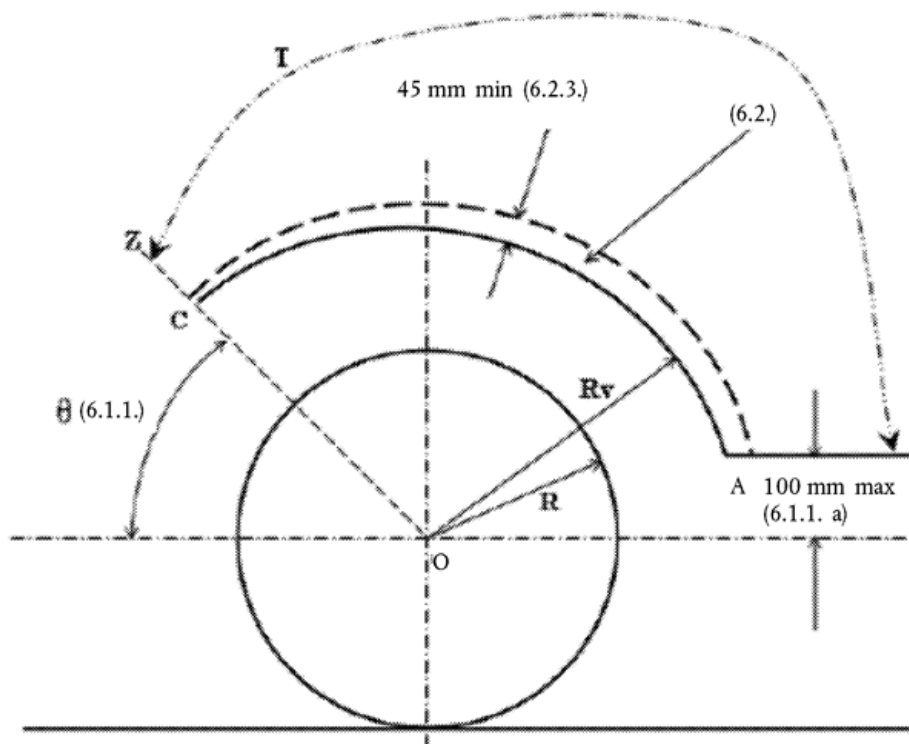


Figure 3

**Changes to legislation:** There are outstanding changes not yet made to Commission Regulation (EU) No 109/2011. Any changes that have already been made to the legislation appear in the content and are referenced with annotations. (See end of Document for details) View outstanding changes

### Position of mudguard and rain flap

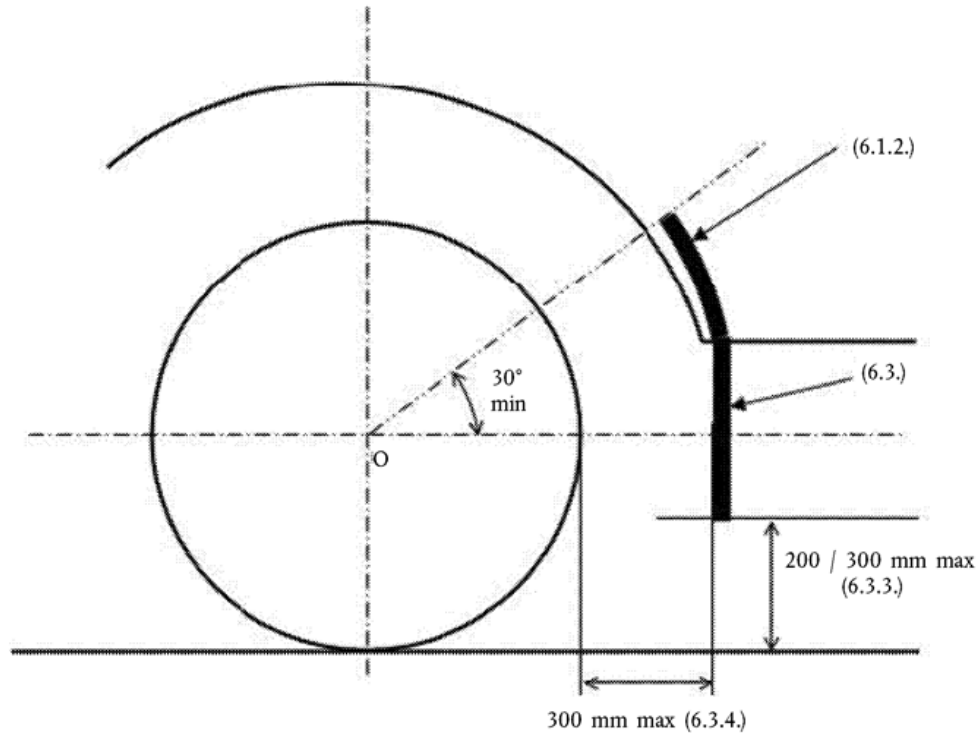


Figure 4

**Diagram showing assembly of a spray-suppression system (mudguard, rain flap, outer valance) incorporating spray-suppression devices (energy absorbers) for multiple axles**

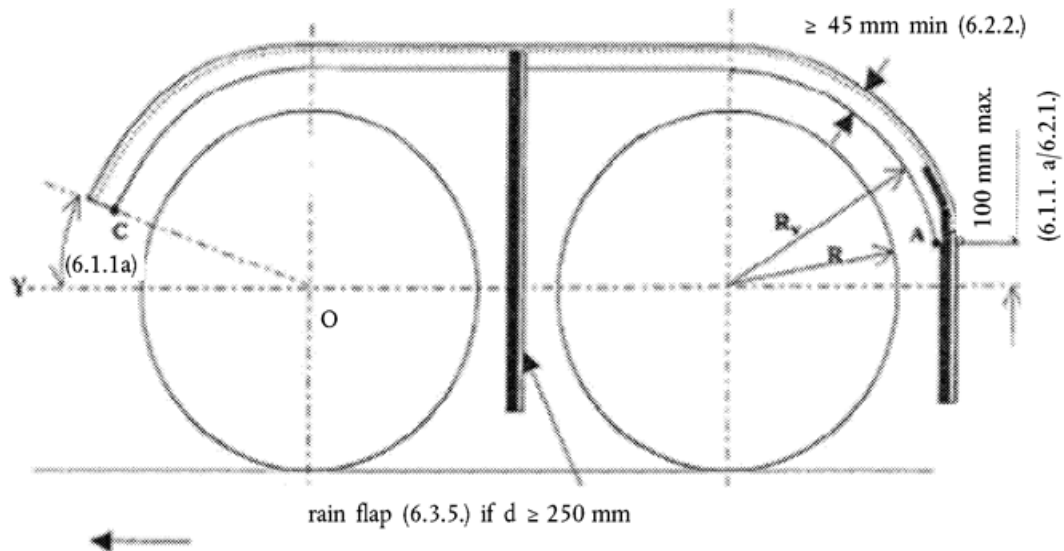


Figure 5

**Changes to legislation:** There are outstanding changes not yet made to Commission Regulation (EU) No 109/2011. Any changes that have already been made to the legislation appear in the content and are referenced with annotations. (See end of Document for details) View outstanding changes

**Diagram showing assembly of a spray-suppression system incorporating spray-suppression devices (energy absorbers) for axles fitted with non-steered or self-steering wheels**

(Annex IV – points 5.2 and 7)

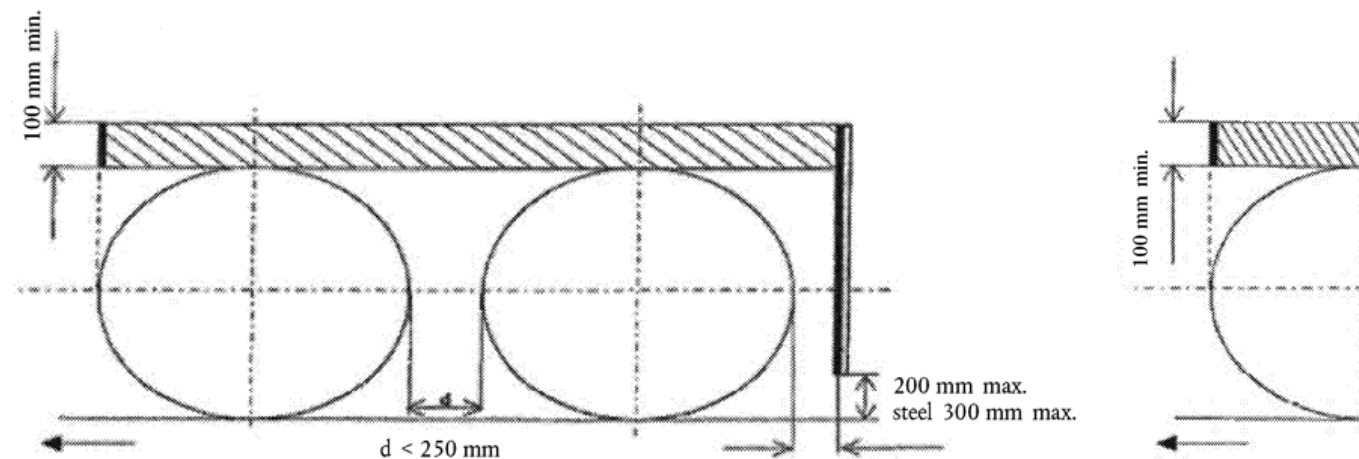


Figure 6

**Diagram showing assembly of a spray-suppression system incorporating spray-suppression devices fitted with air/water separators for axles fitted with steered, self-steering or non-steered wheels**

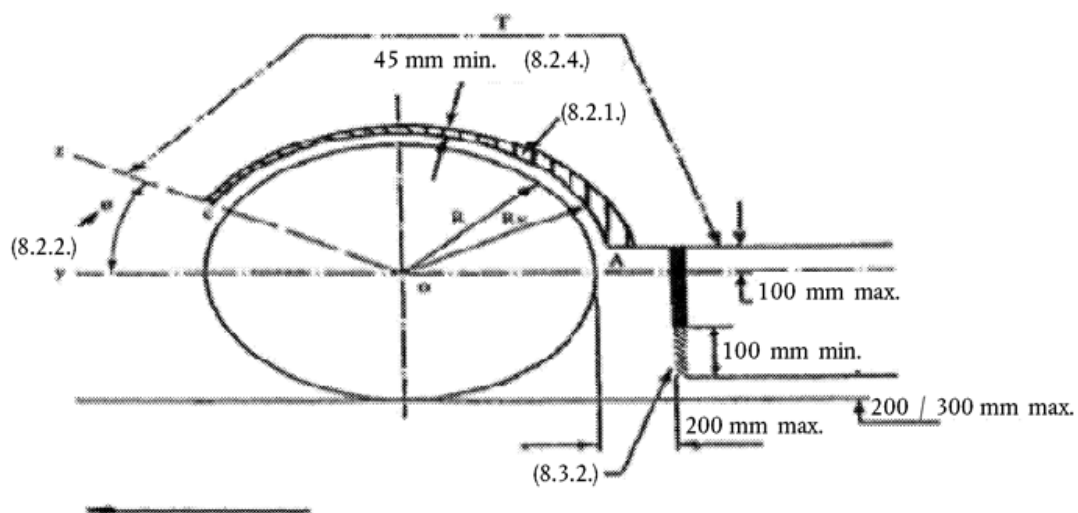


Figure 7

*Changes to legislation:* There are outstanding changes not yet made to Commission Regulation (EU) No 109/2011. Any changes that have already been made to the legislation appear in the content and are referenced with annotations. (See end of Document for details) View outstanding changes

**Diagram showing assembly of a spray-suppression system incorporating spray-suppression devices (mudguard, rain flap, outer valance) for multiple axles where the distance between the tyres does not exceed 300 mm**

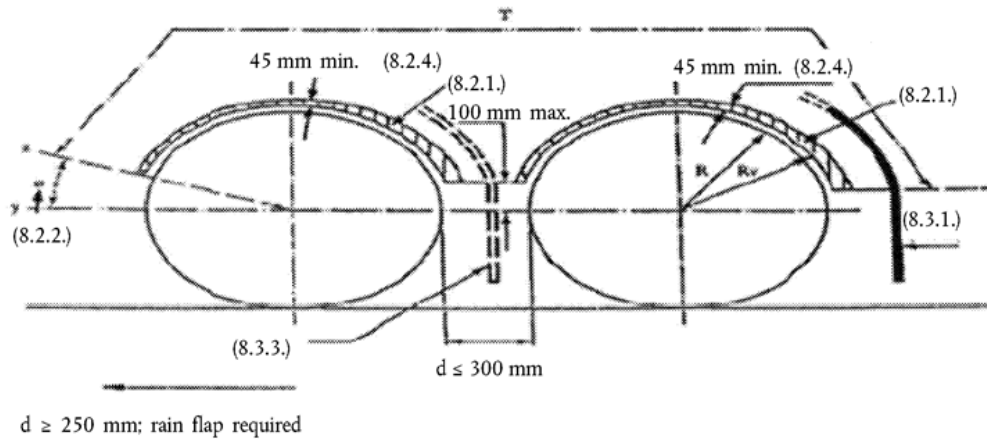


Figure 8

**Test assembly for energy absorption spray-suppression devices**

(Annex III, PART 2)

**Changes to legislation:** There are outstanding changes not yet made to Commission Regulation (EU) No 109/2011. Any changes that have already been made to the legislation appear in the content and are referenced with annotations. (See end of Document for details) View outstanding changes

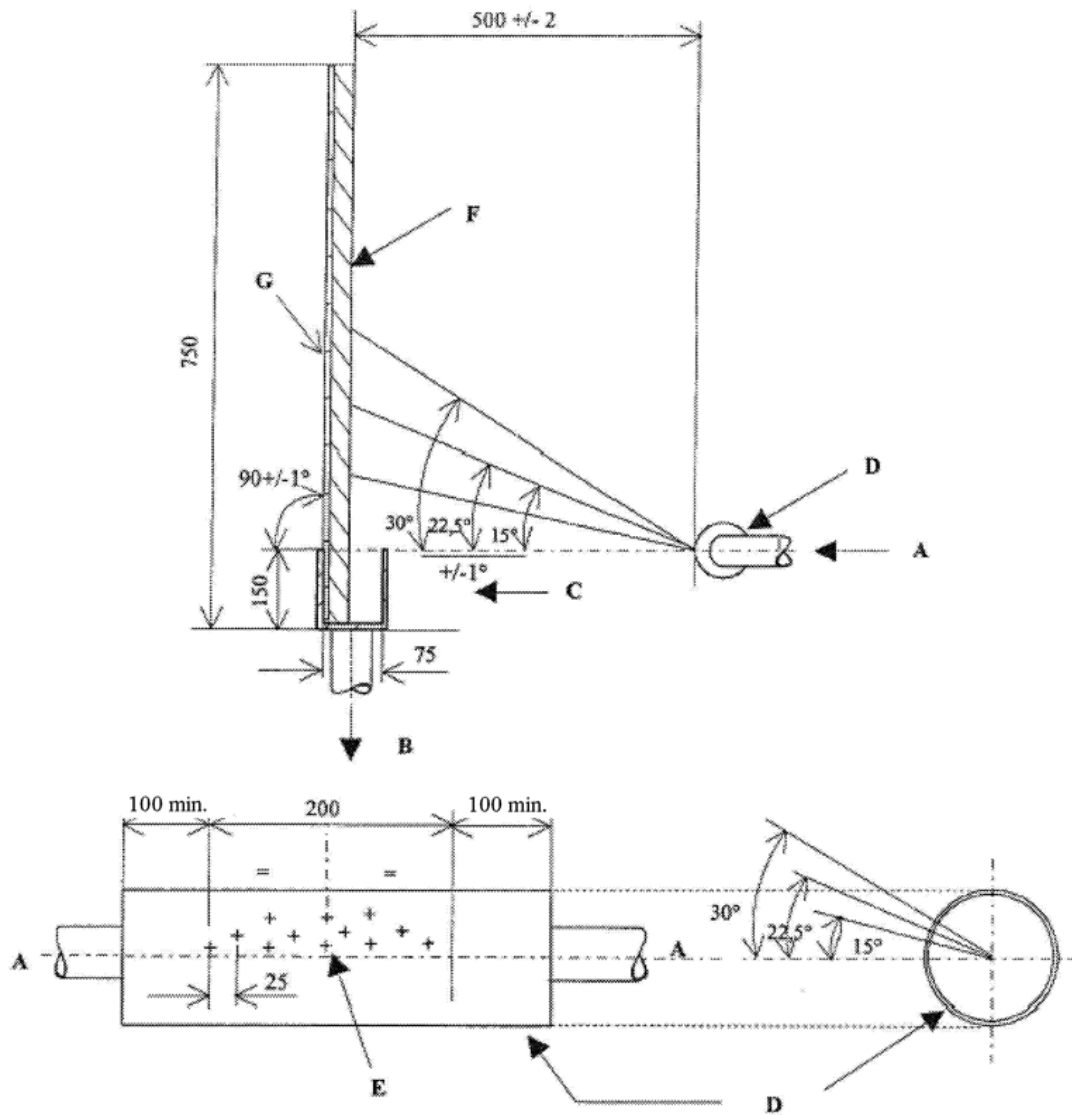
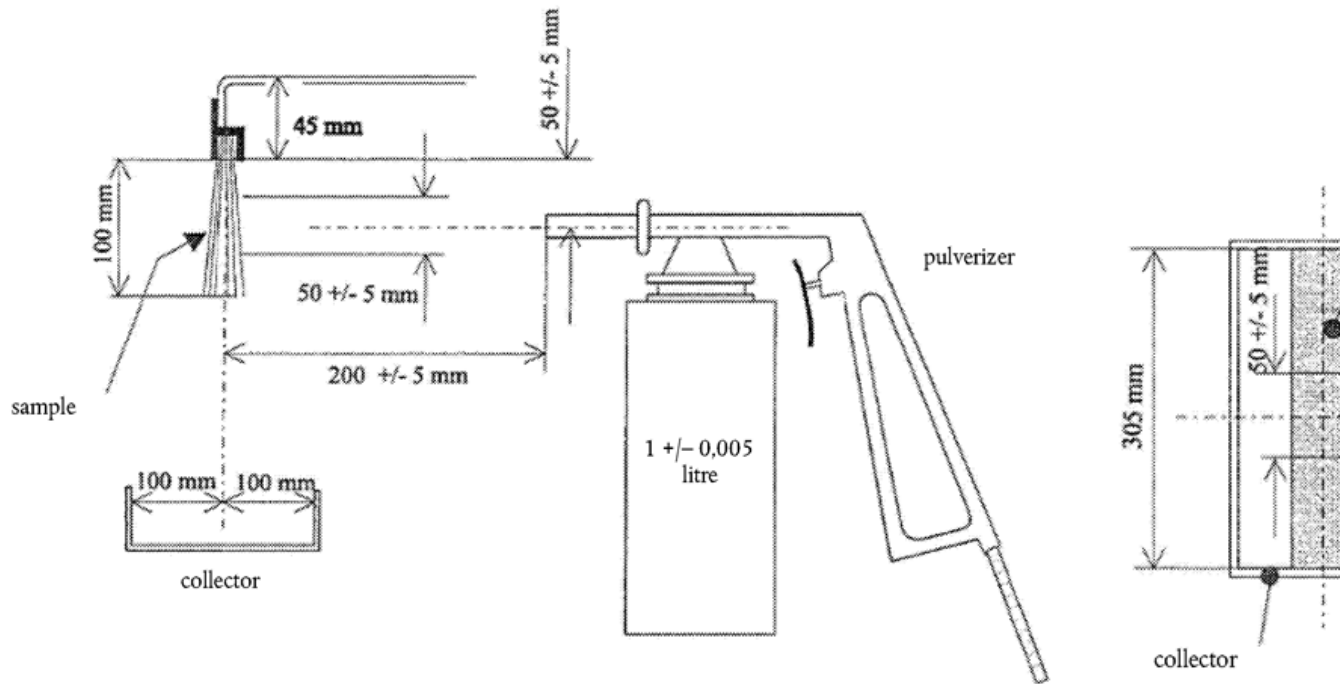


Figure 9

**Test assembly for air/water separator spray-suppression devices**

(Annex III, PART 3)

**Changes to legislation:** There are outstanding changes not yet made to Commission Regulation (EU) No 109/2011. Any changes that have already been made to the legislation appear in the content and are referenced with annotations. (See end of Document for details) View outstanding changes



---

**Changes to legislation:** There are outstanding changes not yet made to Commission Regulation (EU) No 109/2011. Any changes that have already been made to the legislation appear in the content and are referenced with annotations. (See end of Document for details) [View outstanding changes](#)

---

- (1) [OJ L 200, 31.7.2009, p. 1.](#)
- (2) [OJ L 263, 9.10.2007, p. 1.](#)
- (3) [OJ L 103, 23.4.1991, p. 5.](#)
- (4) [OJ L 233, 25.8.1997, p. 1.](#)
- (5) [OJ L 129, 14.5.1992, p. 95.](#)
- (6) If the means of identification of type contains characters not relevant to describe the vehicle, component or separate technical unit types covered by this information document, such characters shall be represented in the documentation by the symbol ‘?’ (e.g. ABC??123??).
- (7) As defined in Directive 2007/46/EC, Annex II, Section A.
- (8) If the means of identification of type contains characters not relevant to describe the vehicle, component or separate technical unit types covered by this information document, such characters shall be represented in the documentation by the symbol ‘?’ (e.g. ABC??123??).
- (9) Delete where not applicable.
- (10) [<sup>F1</sup>Commission Regulation (EU) No 1009/2010 of 9 November 2010 concerning type-approval requirements for wheel guards of certain motor vehicles and implementing Regulation (EC) No 661/2009 of the European Parliament and of the Council concerning type-approval requirements for the general safety of motor vehicles, their trailers and systems, components and separate technical units intended therefor ([OJ L 292, 10.11.2010, p. 21](#)).]

#### **Textual Amendments**

- F1** Substituted by [Commission Regulation \(EU\) 2015/166 of 3 February 2015 supplementing and amending Regulation \(EC\) No 661/2009 of the European Parliament and of the Council as regards the inclusion of specific procedures, assessment methods and technical requirements, and amending Directive 2007/46/EC of the European Parliament and of the Council, and Commission Regulations \(EU\) No 1003/2010, \(EU\) No 109/2011 and \(EU\) No 458/2011 \(Text with EEA relevance\).](#)

**Changes to legislation:**

There are outstanding changes not yet made to Commission Regulation (EU) No 109/2011. Any changes that have already been made to the legislation appear in the content and are referenced with annotations.

[View outstanding changes](#)

**Changes and effects yet to be applied to :**

- Annex 1 Pt. 1 words substituted by [S.I. 2022/1273 reg. 63\(9\)\(a\)](#)
- Annex 1 heading words substituted by [S.I. 2022/1273 reg. 63\(9\)\(a\)](#)
- Annex 1 Pt. 2 words substituted by [S.I. 2022/1273 reg. 63\(9\)\(b\)\(i\)](#)
- Annex 1 Pt. 2 words substituted by [S.I. 2022/1273 reg. 63\(9\)\(b\)\(ii\)](#)
- Annex 1 Pt. 2 note words substituted by [S.I. 2022/1273 reg. 63\(9\)\(c\)](#)
- Annex 1 Pt. 2 Addendum heading words substituted by [S.I. 2022/1273 reg. 63\(9\)\(d\)](#)
- Annex 5 point 1.1 words substituted by [S.I. 2022/1273 reg. 63\(13\)\(a\)](#)
- Annex 5 point 1.2 words substituted by [S.I. 2022/1273 reg. 63\(13\)\(a\)](#)
- Annex 5 point 2 words substituted by [S.I. 2022/1273 reg. 63\(13\)\(a\)](#)
- Annex 5 point 1.1 words substituted by [S.I. 2022/1273 reg. 63\(13\)\(b\)](#)
- Annex 3 point 2 heading words substituted by [S.I. 2022/1273 reg. 63\(11\)\(a\)](#)
- Annex 3 point 2.1 words substituted by [S.I. 2022/1273 reg. 63\(11\)\(b\)\(i\)](#)
- Annex 3 point 2.1 words substituted by [S.I. 2022/1273 reg. 63\(11\)\(b\)\(ii\)](#)
- Annex 3 point 2.4.1 words substituted by [S.I. 2022/1273 reg. 63\(11\)\(c\)](#)
- Annex 3 point 2.4.2 words substituted by [S.I. 2022/1273 reg. 63\(11\)\(d\)](#)
- Annex 2 Pt. 3 point 1.1 substituted by [S.I. 2022/1273 reg. 63\(10\)\(d\)\(i\)](#)
- Annex 2 Pt. 3 point 3 image substituted by [S.I. 2022/1273 reg. 63\(10\)\(d\)\(ii\)](#)
- Annex 2 Pt. 3 point 3 words omitted by [S.I. 2022/1273 reg. 63\(10\)\(d\)\(iii\)](#)
- Annex 2 heading words substituted by [S.I. 2022/1273 reg. 63\(10\)\(a\)](#)
- Annex 2 words substituted by [S.I. 2022/1273 reg. 63\(10\)\(a\)](#)
- Annex 2 Pt. 1 point 000.7 words substituted by [S.I. 2022/1273 reg. 63\(10\)\(b\)\(i\)](#)
- Annex 2 Pt. 1 point 1.3 words substituted by [S.I. 2022/1273 reg. 63\(10\)\(b\)\(ii\)](#)
- Annex 2 Pt. 2 words substituted by [S.I. 2022/1273 reg. 63\(10\)\(c\)\(i\)](#)
- Annex 4 point 000.1 words substituted by [S.I. 2022/1273 reg. 63\(12\)](#)
- Art. 1 words substituted by [S.I. 2022/1273 reg. 63\(2\)](#)
- Art. 3 heading words substituted by [S.I. 2022/1273 reg. 63\(4\)\(a\)](#)
- Art. 3(1) words substituted by [S.I. 2022/1273 reg. 63\(4\)\(a\)](#)
- Art. 3(3) words substituted by [S.I. 2022/1273 reg. 63\(4\)\(b\)](#)
- Art. 3(3) words substituted by [S.I. 2022/1273 reg. 63\(4\)\(c\)\(i\)](#)
- Art. 3(3) words substituted by [S.I. 2022/1273 reg. 63\(4\)\(c\)\(ii\)](#)
- Art. 3(4) words substituted by [S.I. 2022/1273 reg. 63\(4\)\(b\)](#)
- Art. 4 heading words substituted by [S.I. 2022/1273 reg. 63\(5\)\(a\)](#)
- Art. 4(1) words substituted by [S.I. 2022/1273 reg. 63\(5\)\(a\)](#)
- Art. 4(2) words substituted by [S.I. 2022/1273 reg. 63\(5\)\(b\)\(i\)\(aa\)](#)
- Art. 4(2) words substituted by [S.I. 2022/1273 reg. 63\(5\)\(b\)\(i\)\(bb\)](#)
- Art. 4(2) words substituted by [S.I. 2022/1273 reg. 63\(5\)\(b\)\(ii\)](#)
- Art. 4(3) words substituted by [S.I. 2022/1273 reg. 63\(5\)\(c\)](#)
- Art. 5 words inserted by [S.I. 2022/1273 reg. 63\(6\)\(c\)](#)
- Art. 5 heading words substituted by [S.I. 2022/1273 reg. 63\(6\)\(a\)](#)
- Art. 5 words substituted by [S.I. 2022/1273 reg. 63\(6\)\(a\)](#)
- Art. 5 words substituted by [S.I. 2022/1273 reg. 63\(6\)\(b\)](#)
- Art. 6 words omitted by [S.I. 2022/1273 reg. 63\(7\)\(a\)](#)
- Art. 6 words substituted by [S.I. 2022/1273 reg. 63\(7\)\(b\)](#)

**Changes and effects yet to be applied to the whole legislation item and associated provisions**

- Signature words omitted by [S.I. 2022/1273 reg. 63\(8\)](#)
- Annex 2 Pt. 2 s. 1 point 000.7 words substituted by [S.I. 2022/1273 reg. 63\(10\)\(c\)\(ii\)](#)



- Art. 2(11) words substituted by [S.I. 2022/1273 reg. 63\(3\)\(a\)](#)
- Art. 2(12) words substituted by [S.I. 2022/1273 reg. 63\(3\)\(b\)](#)
- Art. 2(13) words substituted by [S.I. 2022/1273 reg. 63\(3\)\(c\)](#)
- Art. 2(15) words substituted by [S.I. 2022/1273 reg. 63\(3\)\(d\)](#)
- Art. 2(16) words substituted by [S.I. 2022/1273 reg. 63\(3\)\(e\)](#)