
***Changes to legislation:** There are outstanding changes not yet made to Commission Regulation (EU) No 1230/2012. Any changes that have already been made to the legislation appear in the content and are referenced with annotations. (See end of Document for details) [View outstanding changes](#)*

Commission Regulation (EU) No 1230/2012 of 12 December 2012 implementing Regulation (EC) No 661/2009 of the European Parliament and of the Council with regard to type-approval requirements for masses and dimensions of motor vehicles and their trailers and amending Directive 2007/46/EC of the European Parliament and of the Council (Text with EEA relevance)

Changes to legislation: There are outstanding changes not yet made to Commission Regulation (EU) No 1230/2012. Any changes that have already been made to the legislation appear in the content and are referenced with annotations. (See end of Document for details) View outstanding changes

ANNEX I

TECHNICAL REQUIREMENTS

PART A

Vehicles of category M₁ and N₁

1. Maximum authorised dimensions

1.1. The dimensions shall not exceed the following values:

1.1.1. Length: 12,00 m.

1.1.2. Width:

(a) M₁ : 2,55 m;

(b) N₁ : 2,55 m;

(c) N₁ : 2,60 m for vehicles fitted with a bodywork with insulated walls of at least 45 mm thick, as referred to in Appendix 2 of Part C of Annex II to Directive 2007/46/EC;

1.1.3. Height: 4,00 m.

1.2. For the purposes of measurement of the length, width and height, the vehicle shall be at its mass in running order, placed on a horizontal and flat surface with tyres inflated at the pressure recommended by the manufacturer.

[^{F1}1.3. The devices and equipment referred to in Appendix 1 shall not be taken into account for the determination of the length, width and height.]

Textual Amendments

F1 Substituted by [Commission Regulation \(EU\) 2019/1892 of 31 October 2019 amending Regulation \(EU\) No 1230/2012 as regards type-approval requirements for certain motor vehicles fitted with elongated cabs and for aerodynamic devices and equipment for motor vehicles and their trailers \(Text with EEA relevance\).](#)

2. Mass distribution

2.1. The sum of the technically permissible maximum mass on the axles shall not be less than the technically permissible maximum laden mass of the vehicle.

2.2. The technically permissible maximum laden mass of the vehicle shall not be less than the mass of the vehicle in running order plus the mass of the passengers plus the mass of the optional equipment plus the mass of the coupling if not included in the mass in running order.

2.3. Where the vehicle is laden to the technically permissible maximum laden mass, the mass on each axle shall not exceed the technically permissible maximum mass on that axle.

Changes to legislation: *There are outstanding changes not yet made to Commission Regulation (EU) No 1230/2012. Any changes that have already been made to the legislation appear in the content and are referenced with annotations. (See end of Document for details) View outstanding changes*

- 2.4. Where the vehicle is laden to the technically permissible maximum laden mass, the mass on the front axle shall in no event be less than 30 % of the technically permissible maximum laden mass of the vehicle.
- 2.4.1. Where the vehicle is laden to the technically permissible maximum laden mass plus the technically permissible maximum mass at the coupling point, the mass on the front axle shall in no event be less than 20 % of the technically permissible maximum laden mass of the vehicle.
- 2.5. Where a vehicle is equipped with removable seats, the verification procedure shall be limited to the condition with the maximum number of seating positions.
- 2.6. For the purposes of verifying the requirements laid down in points 2.2, 2.3 and 2.4:
- (a) The seats shall be adjusted as prescribed in point 2.6.1
- (b) the masses of the passengers, the pay-mass and the mass of the optional equipment shall be distributed as prescribed in points 2.6.2 to 2.6.4.2.3.
- 2.6.1. Seat adjustment
- 2.6.1.1. The seats where adjustable shall be moved to their rearmost position.
- 2.6.1.2. Where there are other possibilities for adjusting the seat (vertical, angled, seat back, etc.) the adjusted positions shall be as specified by the vehicle manufacturer.
- 2.6.1.3. In the case of suspension seats, the seat shall be locked in the position specified by the manufacturer.
- 2.6.2. Distribution of the mass of passengers
- 2.6.2.1. The mass representing each passenger shall be 75 kg.
- 2.6.2.2. The mass for each passenger shall be located at the seating reference point (i.e. the 'R point' of the seat)
- 2.6.2.3. In the case of special purpose vehicle, the requirement of point 2.6.2.2 shall apply mutatis mutandis (for example, mass of an injured person lying on the stretcher in the case of an ambulance).
- 2.6.3. Distribution of the mass of the optional equipment
- 2.6.3.1. The mass of the optional equipment shall be distributed in accordance with the manufacturer's specifications.
- 2.6.4. Distribution of the pay-mass
- 2.6.4.1. M₁ vehicles
- 2.6.4.1.1. As regards M₁ vehicles, the pay-mass shall be distributed in accordance with the manufacturer's specifications in agreement with the technical service.
- 2.6.4.1.2. As regards motor caravans the minimum pay-mass (PM) shall meet the following requirement:

$$PM \text{ in kg} \geq 10(n + L)$$

Where

'n' is the maximum number of passengers plus the driver and

Changes to legislation: There are outstanding changes not yet made to Commission Regulation (EU) No 1230/2012. Any changes that have already been made to the legislation appear in the content and are referenced with annotations. (See end of Document for details) View outstanding changes

‘L’ is the overall length of the vehicle in metre

2.6.4.2. N₁ vehicles

2.6.4.2.1. As regards vehicles with bodywork, the pay-mass shall be distributed uniformly on the cargo bed;

2.6.4.2.2. As regards vehicles without bodywork (e.g. chassis-cab), the manufacturer shall state the extreme permissible positions of the centre of gravity of the pay-mass increased by the mass of the equipment intended to accommodate goods (e.g. bodywork, tank, etc.) (for instance: from 0,50 m to 1,30 m in front of the first rear axle);

2.6.4.2.3. As regards vehicles intended to be fitted with a fifth wheel coupling, the manufacturer shall state the minimum and maximum fifth wheel lead.

2.7. Additional requirements where the vehicle is capable of towing a trailer

2.7.1. The requirements referred to in points 2.2, 2.3 and 2.4 shall apply taking into account the mass of the coupling and the technically permissible maximum mass at the coupling point.

2.7.2. Without prejudice to the requirements of point 2.4, the technically permissible maximum mass on the rear axle(s) may be exceeded by not more than 15 %.

2.7.2.1. Where the technically permissible maximum mass on the rear axle(s) is exceeded by not more than 15 %, the requirements of point 5.2 of Annex II to Commission Regulation (EU) No 458/2011⁽¹⁾ shall apply.

2.7.2.2. In the Member States where the road traffic legislation allows it, the manufacturer may indicate in an appropriate supporting document, such as the owner’s manual or the maintenance book that the technically permissible maximum laden mass of the vehicle may be exceeded by not more than 10 % or 100 kg, whichever value is lower.

This allowance shall apply only when towing a trailer in the conditions specified in point 2.7.2.1 provided that the operating speed is restricted to 100 km/h or less.

3. Towable mass and mass at the coupling

3.1. As regards the technically permissible maximum towable mass, the following requirements shall apply:

3.1.1. Trailer fitted with a service braking system

3.1.1.1. The technically permissible maximum towable mass of the vehicle shall be the lowest of the following values:

- (a) the technically permissible maximum towable mass based on the construction features of the vehicle and the strength of the coupling;
- (b) the technically permissible maximum laden mass of the towing vehicle;
- (c) 1,5 times the technically permissible maximum laden mass of the towing vehicle in the case of an off-road vehicle as defined in Annex II to Directive 2007/46/EC.

3.1.1.2. However, the technically permissible maximum towable mass shall in no case exceed 3 500 kg.

3.1.2. Trailer without a service braking system

Changes to legislation: There are outstanding changes not yet made to Commission Regulation (EU) No 1230/2012. Any changes that have already been made to the legislation appear in the content and are referenced with annotations. (See end of Document for details) View outstanding changes

- 3.1.2.1. The permissible towable mass shall be the lowest of the following values:
- (a) the technically permissible maximum towable mass based on the construction features of the vehicle and the strength of the coupling;
 - (b) half of the mass in running order of the towing vehicle.
- 3.1.2.2. The technically permissible maximum towable mass shall in no case exceed 750 kg.
- 3.2. The technically permissible maximum mass at the coupling point shall not be less than 4 % of the maximum permissible towable mass and not be less than 25 kg.
- 3.3. The manufacturer shall specify in the owner's manual the technically permissible maximum mass at the coupling point, the mounting points of the coupling on the towing vehicle and the maximum permissible rear overhang for the coupling point.
- 3.4. The technically permissible maximum towable mass shall not be defined by reference to the number of passengers.

4. **Mass of the combination**

The technically permissible maximum laden mass of the combination shall not exceed the sum of the technically permissible maximum laden mass plus the technically permissible maximum towable mass.

$$MC \leq M + TM$$

5. **Hill starting ability**

- 5.1. The towing vehicle shall be able to start the vehicle combination five times on an uphill gradient of at least 12 % within five minutes.
- 5.2. In order to conduct the test described in point 5.1, the towing vehicle and the trailer shall be laden as to equal the technically permissible maximum laden mass of the combination.

PART B

Vehicles of category M₂ and M₃

1. **Maximum authorised dimensions**

- 1.1. The dimensions shall not exceed the following values:
- 1.1.1. Length
- (a) Vehicle with two axles and one section: 13,50 m
 - (b) Vehicle with three or more axles and one section: 15,00 m
 - (c) Articulated vehicle: 18,75 m
- 1.1.2. Width: 2,55 m;
- 1.1.3. Height: 4,00 m
- 1.2. For the purposes of measurement of the length, width and height, the vehicle shall be at its mass in running order, placed on a horizontal and flat surface with tyres inflated at the pressure recommended by the manufacturer.

Changes to legislation: There are outstanding changes not yet made to Commission Regulation (EU) No 1230/2012. Any changes that have already been made to the legislation appear in the content and are referenced with annotations. (See end of Document for details) View outstanding changes

[^{F1}1.3. The devices and equipment referred to in Appendix 1 shall not be taken into account for the determination of the length, width and height.]

[^{F2}1.3.1. Additional requirements for aerodynamic devices referred to in Appendix 1

Textual Amendments

F2 Inserted by [Commission Regulation \(EU\) 2019/1892 of 31 October 2019 amending Regulation \(EU\) No 1230/2012 as regards type-approval requirements for certain motor vehicles fitted with elongated cabs and for aerodynamic devices and equipment for motor vehicles and their trailers \(Text with EEA relevance\).](#)

1.3.1.1. Aerodynamic devices and equipment not exceeding 500 mm in length in the in-use position shall not increase the overall usable cargo space. They shall be constructed in such a way as to make it possible to lock them in the retracted or folded and the in-use positions. Such devices and equipment shall furthermore be constructed so as to be retractable or foldable when the vehicle is at stand-still in such a way that the maximum authorised width of the vehicle referred to in point 1.1.2. is not exceeded by more than 25 mm on each side of the vehicle and the maximum authorised length of the vehicle referred to in point 1.1.1. is not exceeded by more than 200 mm as permitted only from a height above the ground of at least 1 050 mm so that they do not impair the capability of the vehicle to be used for intermodal transport. In addition, the requirements set out in points 1.3.1.1.1 and 1.3.1.1.3. shall be met.

1.3.1.1.1. The devices and equipment shall be type-approved in accordance with this Regulation.

1.3.1.1.2. It shall be possible for the operator to vary the position of the aerodynamic device and equipment, and to retract or fold it, by applying a manual force not exceeding 40 daN. In addition, this may be done automatically as well.

1.3.1.1.3. It is not required for devices and equipment to be retractable or foldable if the maximum dimensional requirements are fully complied with under all conditions.

1.3.1.2. Aerodynamic devices and equipment exceeding 500 mm in length in the in-use position shall not increase the overall usable cargo space. They shall be constructed in such a way as to make it possible to lock them in both the retracted or folded and the in-use positions. Such devices shall furthermore be constructed so as to be retractable or foldable when the vehicle is at stand-still in such a way that the maximum authorised width of the vehicle referred to in point 1.1.2. is not exceeded by more than 25 mm on each side of the vehicle and the maximum authorised length of the vehicle referred to in point 1.1.1. is not exceeded by more than 200 mm as permitted only from a height above the ground of at least 1 050 mm so that they do not impair the capability of the vehicle to be used for intermodal transport. In addition, the requirements set out in points 1.3.1.2.1. to 1.3.1.2.4. shall be met.

1.3.1.2.1. The devices and equipment shall be type-approved in accordance with this Regulation.

1.3.1.2.2. It shall be possible for the operator to vary the position of the aerodynamic device and equipment, and to retract or fold it, by applying a manual force not exceeding 40 daN. In addition, this may be done automatically as well.

1.3.1.2.3. Each main vertical element or combination of elements and main horizontal element or combination of elements forming the devices and equipment shall, when installed on the vehicle and in the in-use position, withstand vertical and horizontal traction and

Changes to legislation: There are outstanding changes not yet made to Commission Regulation (EU) No 1230/2012. Any changes that have already been made to the legislation appear in the content and are referenced with annotations. (See end of Document for details) [View outstanding changes](#)

push forces, applied sequentially in up, down, left and right direction, of 200 daN \pm 10 % applied statically to the geometric centre of the relevant perpendicular projected surface, at a maximum pressure of 2,0 MPa. The devices and equipment may deform, but the system for adjustment and locking shall not release as a result of the applied forces. The deformation shall be limited to ensure that the maximum authorised width of the vehicle is not exceeded by more than 25 mm on each side of the vehicle, during and after the test.

1.3.1.2.4. Each main vertical element or combination of elements and main horizontal element or combination of elements forming the devices and equipment shall also, when in the retracted or folded position, withstand a horizontal traction force applied in longitudinal rearward direction, of 200 daN \pm 10 % applied statically to the geometric centre of the relevant perpendicular projected surface, at a maximum pressure of 2,0 MPa. The devices and equipment may deform, but the system for adjustment and locking shall not release as a result of the applied forces. The deformation shall be limited to ensure that the maximum authorised width of the vehicle is not exceeded by more than 25 mm on each side of the vehicle and the maximum authorised length of the vehicle is not exceeded by more than 200 mm.

1.3.1.3. It shall be verified by the technical service, to the satisfaction of the type-approval authority that aerodynamic devices and equipment positioned in both, the in-use and the retracted or folded positions, do not significantly impair cooling and ventilation of the powertrain, exhaust system and passenger cabin. All other applicable requirements relating to the vehicle systems shall be fully complied with when the devices and equipment are placed in both their in-use and retracted or folded positions.

By way of derogation concerning the applicable requirements relating to rear underrun protection, the horizontal distances between the rear of the rear underrun protection device and the rear extremity of the vehicle as fitted with aerodynamic devices and equipment may be measured without taking the devices and equipment into account on condition that they exceed 200 mm in length, they are in the in-use condition and the fundamental sections of the elements placed at a height \leq 2,0 m above the ground measured in unladen condition are made of material having a hardness of $<$ 60 Shore (A). Narrow ribs, tubing and metal wire forming a frame or substrate to support the fundamental sections of the elements shall not be taken into account when determining the hardness. However, in order to eliminate the risk of injuries and penetration of other vehicles in the event of a collision, any ends of such ribs, tubing and metal wire shall not be directed rearward, with the device and equipment both in the retracted or folded and the in-use positions.

As alternative to the derogation referred to in the previous paragraph, the horizontal distances between the rear of the rear underrun protection device and the rear extremity of the vehicle as fitted with aerodynamic devices and equipment may be measured without taking the aerodynamic devices and equipment into account provided that they exceed 200 mm in length, they are in the in-use condition and those devices or equipment comply with the test provisions set out in Appendix 4.

The horizontal distances between the rear of the rear underrun protection device and the rear extremity of the vehicle shall however be measured with the aerodynamic devices and equipment positioned in the retracted or folded position or take into account the resulting projection length in accordance with point 1.6.1 of Appendix 4, if this length exceeds that of the retracted or folded position.]

2. Mass distribution for vehicles fitted with bodywork

2.1. Calculation procedure

Changes to legislation: There are outstanding changes not yet made to Commission Regulation (EU) No 1230/2012. Any changes that have already been made to the legislation appear in the content and are referenced with annotations. (See end of Document for details) View outstanding changes

Notations:

‘M’	technically permissible maximum laden mass;
‘TM’	technically permissible maximum towable mass;
‘MC’	technically permissible maximum laden mass of the combination;
‘m _i ’	technically permissible maximum laden mass on the solo axle designated ‘i’, where ‘i’ varies from 1 to the total number of axles of the vehicle;
‘m _c ’	technically permissible maximum mass at the coupling point;
‘μ _j ’	the technically permissible maximum mass on the group of axles designated ‘j’, where j varies from 1 to the total number of groups of axles.

2.1.1. Suitable calculations shall be carried out in order to make sure that the following requirements are fulfilled for each technical configuration within the type.

2.1.2. In the case of vehicles fitted with loadable axles, the following calculations shall be carried out with the suspension of the axles loaded in the normal operating configuration.

[^{F2}2.1.3. In the case of alternatively fuelled or zero-emission motor vehicles:

2.1.3.1. The additional weight required for alternative fuel or zero-emission technology in accordance with points 2.3. and 2.4. of Annex I to Directive 96/53/EC shall be defined on the basis of the documentation provided by the manufacturer. The correctness of the declared information shall be verified by the Technical Service, to the satisfaction of the Type-Approval Authority.

2.1.3.2. The manufacturer shall indicate the following additional symbol as well as the value of the additional weight below or to the side of the mandatory inscriptions on the manufacturer’s statutory plate, outside a clearly marked rectangle which shall enclose only the mandatory information.

‘96/53/EC ARTICLE 10B COMPLIANT – XXXX KG’

The height of the symbol’s characters and stated value shall not be less than 4 mm.

In addition, until the introduction of a dedicated entry in the Certificate of Conformity, the value of the additional weight shall be stated under ‘remarks’ in the Certificate of Conformity as to allow inclusion of this information in on-board vehicle registration papers.]

2.2. General requirements

2.2.1. The sum of the technically permissible maximum mass on the solo axles plus the sum of the technically permissible maximum mass on the groups of axles shall not be less than the technically permissible maximum laden mass of the vehicle.

$$M \leq \sum [m_i + \mu_j]$$

.

2.2.2. The mass of the vehicle in running order, plus the mass of the optional equipment, the mass of the passengers, the masses ‘WP’ and ‘B’ referred to in point 2.2.3, plus the mass of the coupling if not included in the mass in running order, plus the technical permissible maximum mass at the coupling point shall not exceed the technically permissible maximum laden mass.

2.2.3. Load distribution

Changes to legislation: There are outstanding changes not yet made to Commission Regulation (EU) No 1230/2012. Any changes that have already been made to the legislation appear in the content and are referenced with annotations. (See end of Document for details) View outstanding changes

2.2.3.1. Notations

‘P’	number of seating positions, not including the driver and crew member(s);
‘Q’	mass of one passenger in kg;
‘Q _c ’	mass of one crew member in kg;
‘S ₁ ’	area in m ² for standing passengers;
‘SP’	number of standing passengers stated by the manufacturer;
‘Ssp’	rated space for one standing passenger in m ² ;
‘WP’	number of wheelchair spaces multiplied by 250 kg representing the mass of a wheelchair and user;
‘V’	total volume of baggage compartments in m ³ including luggage compartments, racks and ski-box;
‘B’	maximum permissible mass of the luggage in kg stated by the manufacturer, including the maximum permissible mass (B’) that may be transported in the ski-box if any.

2.2.3.2. The mass Q and Q_c of the seated passengers shall be located at the seating reference points (i.e. the ‘R point’ of the seat).

2.2.3.3. The mass corresponding to the number SP of standing passengers of mass Q shall be uniformly distributed over the surface available for standing passenger S₁.

2.2.3.4. Where appropriate, the mass WP shall be uniformly distributed over each wheelchair space.

2.2.3.5. A mass equal to B (kg) shall be uniformly distributed in the luggage compartments.

2.2.3.6. A mass equal to B’ (kg) shall be located at the centre of gravity of the ski-box.

2.2.3.7. The technically permissible maximum mass at the coupling point shall be located at the coupling point the rear overhang of which is stated by the vehicle manufacturer.

2.2.3.8. Values of Q and Ssp values

Vehicle class	Q (kg)	Ssp (m ²)
Class I and A	68	0,125 m ²
Class II	71	0,15 m ²
Class III and B	71	Not applicable

The mass of each crew member shall be 75 kg.

2.2.3.9. The number of standing passengers shall not exceed the value S₁/Ssp, where Ssp is the rated space provided for one standing passenger as specified in the table in point 2.2.3.8.

2.2.3.10. The value of the maximum permissible mass of the luggage shall be not less than:

$$B = 100 \times V$$

2.2.4. Calculations

2.2.4.1 The requirements of point 2.2.2 shall be verified in all interior arrangement configurations.

Changes to legislation: There are outstanding changes not yet made to Commission Regulation (EU) No 1230/2012. Any changes that have already been made to the legislation appear in the content and are referenced with annotations. (See end of Document for details) View outstanding changes

- 2.2.4.2. In the conditions specified in point 2.2.3 the mass on each solo axle and on each group of axles shall not exceed the technically permissible maximum mass on that axle or group of axles.
- 2.2.4.3. In the case of a vehicle equipped with a variable seating capacity, with an area available for standing passengers (S_1) and equipped for the carriage of wheelchairs, compliance with the requirements of points 2.2.2 and 2.2.4.2 shall be verified for each of the following conditions as applicable:
- with all possible seats occupied followed by the remaining area for standing passengers (up to the standing capacity limit declared by the manufacturer, if reached) and, if space remains, any wheelchair spaces occupied;
 - with all possible standing areas occupied (up to the standing capacity limit stated by the manufacturer) followed by the remaining seats available for seated passengers and, if space remains, any wheelchair spaces occupied;
 - with all possible wheelchair spaces occupied followed by the remaining area for standing passengers (up to the standing capacity limit stated by the manufacturer, if reached) and then the remaining seats available for use occupied.
- 2.2.5. Where the vehicle is laden as specified in point 2.2.2 the mass corresponding to the load on the front steering axle(s) shall in no case be less than 20 % of the technically permissible maximum laden mass 'M'.
- [^{F2}2.2.5.1 In the case of an articulated vehicle with at least 4 axles of class I having two steered axles, the mass corresponding to the load on the front steering axle(s) shall in no case be less than 15 % of the technically permissible maximum laden mass 'M'.]
- 2.2.6. Where a vehicle is to be type-approved to more than one class, the requirements of Section 2 shall apply to each class.
- 3. Towing capacity**
- 3.1. The technically permissible maximum laden mass of the combination shall not exceed the sum of the technically permissible maximum laden mass plus the technically permissible maximum towable mass.
- $$MC \leq M + TM$$
- 3.2. The technically permissible maximum towable mass shall not exceed 3 500 kg.
- 4. Technically permissible maximum mass at the coupling point**
- 4.1. The technically permissible maximum mass at the coupling point shall be at least equal to 4 % of its technically permissible maximum towable mass, or 25 kg, whichever is the greater.
- 4.2. The manufacturer shall specify in the owner's manual the conditions for the attachment of the coupling to the motor vehicle.
- 4.2.1. Where appropriate the conditions referred to in point 4.2 shall include the technically permissible maximum mass at the coupling point of the towing vehicle, the maximum permissible mass of the coupling device, the mounting points of the coupling and the maximum permissible rear overhang of the coupling.
- 5. Hill-starting ability**

Changes to legislation: There are outstanding changes not yet made to Commission Regulation (EU) No 1230/2012. Any changes that have already been made to the legislation appear in the content and are referenced with annotations. (See end of Document for details) View outstanding changes

5.1. Vehicles designed to tow a trailer shall be capable of starting five times within five minutes at an up-hill gradient of at least 12 %.

5.2. For performing the test described in point 5.1, the towing vehicle and the trailer shall be laden so as to equal the technically permissible maximum laden mass of the combination.

6. Engine power

6.1. The engine shall provide a power output of at least 5 kW per tonne of the technically permissible maximum laden mass of the combination or of the technically permissible maximum laden mass of the solo vehicle where the vehicle is not designed to tow a trailer. ^[F2]The requirements in this point shall not apply to the electric-only driving mode of hybrid electric vehicles.]

^[F1]6.2. The engine power shall be measured in accordance with UNECE Regulation No 85⁽²⁾.]

7. Manoeuvrability

7.1. The vehicle shall be capable of manoeuvring on either side of a complete trajectory of 360° as shown in Figure 1 in Appendix 3 to this Annex without any of the vehicle's outermost points protruding beyond the outer circle or intruding inside the inner circle as the case may be.

7.1.1. The test shall be conducted with the vehicle in both the unladen conditions (i.e. at its mass in running order) and loaded to its technically maximum permissible laden mass. ^[F2]If the vehicle is equipped with aerodynamic devices or equipment referred to in points 1.3.1.1 and 1.3.1.2, the devices and equipment shall be in the deployed and in-use position.]

7.1.2. For the purposes of point 7.1, the parts permitted to protrude beyond the vehicle width referred to in Appendix 1 to this Annex shall not be taken into account.

7.2. For vehicles fitted with a loadable axle, the requirement of point 7.1 shall also apply where the loadable axle(s) is in service.

7.3. The requirements of section 7.1 shall be verified as follows:

7.3.1. The vehicle shall manoeuvre inside a circular area defined by two concentric circles, the outer circle having a radius of 12,50 m and the inner circle having a radius of 5,30 m

7.3.2. The outermost front point of the motor vehicle shall be guided along the contour of the outer circle (see Figure 1 in Appendix 3 to this Annex).

^[F2]7.4 With the agreement of the Technical Service and the Type-Approval Authority, the manoeuvrability requirements may be proved by numerical simulation in accordance with Annex XVI to Directive 2007/46/EC. In case of doubt, the Technical Service or Type-Approval Authority may require a physical full-scale test to be carried out.]

8. Rear swing-out

8.1. Vehicle with one section

8.1.1. The vehicle shall be tested in accordance with the drive-in test method described in point 8.1.2. ^[F2]If the vehicle is equipped with aerodynamic devices or equipment referred to in points 1.3.1.1 and 1.3.1.2, the devices and equipment shall be in the deployed and in-use position.]

Changes to legislation: There are outstanding changes not yet made to Commission Regulation (EU) No 1230/2012. Any changes that have already been made to the legislation appear in the content and are referenced with annotations. (See end of Document for details) View outstanding changes

8.1.2. Drive-in test method

The vehicle shall be stationary, a vertical plane tangential to the side of the vehicle and facing outwards from the circle shall be established by marking a line on the ground.

The vehicle shall be moved from a straight line approach into the circular area described in Figure 1 with its front wheels turned such as the front outermost point follows the contour of the outer circle (see Figure 2a of Appendix 3 to this Annex).

8.1.3. The vehicle shall be set to its mass in running order.

8.1.4. The maximum rear swing-out shall not exceed 0,60 m.

8.2. Vehicles with two or more sections

8.2.1. The requirements of point 8.1 shall apply *mutatis mutandis* as regards vehicles with two or more sections.

In such a case, the two or more rigid sections shall be aligned with the plane as shown in Figure 2b of Appendix 3 to this Annex.

[^{F2}8.3. With the agreement of the Technical Service and the Type-Approval Authority, the maximum rear swing-out requirements may be proved by numerical simulation in accordance with Annex XVI to Directive 2007/46/EC. In case of doubt, the Technical Service or Type-Approval Authority may require a physical full-scale test to be carried out.]

PART C

Vehicles of category N₂ and N₃

1. Maximum authorised dimensions

1.1. The dimensions shall not exceed the following values:

1.1.1. Length: 12,00 m.

1.1.2. Width:

(a) 2,55 m for any vehicle;

(b) [^{F1}2,60 m for vehicles fitted with a bodywork with insulated walls of at least 45 mm thick, having bodywork code 04 or 05 of Appendix 2 to Annex II to Directive 2007/46/EC.]

1.1.3. Height: 4,00 m

1.2. For the purposes of measurement of the length, width and height, the vehicle shall be at its mass in running order, placed on a horizontal and flat surface with tyres inflated at the pressure recommended by the manufacturer.

[^{F1}1.3. The devices and equipment referred to in Appendix 1 shall not be taken into account for the determination of the length, width and height.]

[^{F2}1.3.1. Additional requirements for aerodynamic devices referred to in Appendix 1

Changes to legislation: *There are outstanding changes not yet made to Commission Regulation (EU) No 1230/2012. Any changes that have already been made to the legislation appear in the content and are referenced with annotations. (See end of Document for details) View outstanding changes*

- 1.3.1.1. Aerodynamic devices and equipment not exceeding 500 mm in length in the in-use position shall not increase the usable length of the loading area. They shall be constructed in such a way as to make it possible to lock them in both the retracted or folded and the in-use positions. Such devices and equipment shall furthermore be constructed so as to be retractable or foldable when the vehicle is at stand-still in such a way that the maximum authorised width of the vehicle is not exceeded by more than 25 mm on each side of the vehicle and the maximum authorised length of the vehicle is not exceeded by more than 200 mm as permitted only from a height above the ground of at least 1 050 mm so that they do not impair the capability of the vehicle to be used for intermodal transport. In addition, the requirements set out in points 1.3.1.1.1 and 1.3.1.1.3. shall be met.
- 1.3.1.1.1. The devices and equipment shall be type-approved in accordance with this Regulation.
- 1.3.1.1.2. It shall be possible for the operator to vary the position of the aerodynamic device and equipment, and to retract or fold it, by applying a manual force not exceeding 40 daN. In addition, this may be done automatically as well.
- 1.3.1.1.3. It is not required for devices and equipment to be retractable or foldable if the maximum dimensional requirements are fully complied with under all conditions.
- 1.3.1.2. Aerodynamic devices and equipment exceeding 500 mm in length in the in-use position shall not increase the usable length of the loading area. They shall be constructed in such a way as to make it possible to lock them in both the retracted or folded and in-use positions. Such devices shall furthermore be constructed so as to be retractable or foldable when the vehicle is at stand-still in such a way that the maximum authorised width of the vehicle is not exceeded by more than 25 mm on each side of the vehicle and the maximum authorised length of the vehicle is not exceeded by more than 200 mm as permitted only from a height above the ground of at least 1 050 mm so that they do not impair the capability of the vehicle to be used for intermodal transport. In addition, the requirements set out in points 1.3.1.2.1. to 1.3.1.2.4. below shall be met.
- 1.3.1.2.1. The devices and equipment shall be type-approved in accordance with this Regulation.
- 1.3.1.2.2. It shall be possible for the operator to vary the position of the aerodynamic device and equipment, and retract or fold it, by applying a manual force not exceeding 40 daN. In addition, this may be done automatically as well.
- 1.3.1.2.3. Each main vertical element or combination of elements and main horizontal element or combination of elements forming the devices and equipment shall, when installed on the vehicle and in the in-use position, withstand vertical and horizontal traction and push forces, applied sequentially in up, down, left and right direction, of 200 daN \pm 10 % applied statically to the geometric centre of the relevant perpendicular projected surface, at a maximum pressure of 2,0 MPa. The devices and equipment may deform, but the system for adjustment and locking shall not release as a result of the applied forces. The deformation shall be limited to ensure that the maximum authorised width of the vehicle is not exceeded by more than 25 mm on each side of the vehicle, during and after the test.
- 1.3.1.2.4. Each main vertical element or combination of elements and main horizontal element or combination of elements forming the devices and equipment shall also, when in the retracted or folded position, withstand a horizontal traction force applied in longitudinal rearward direction, of 200 daN \pm 10 % applied statically to the geometric centre of the relevant perpendicular projected surface, at a maximum pressure of 2,0

Changes to legislation: There are outstanding changes not yet made to Commission Regulation (EU) No 1230/2012. Any changes that have already been made to the legislation appear in the content and are referenced with annotations. (See end of Document for details) View outstanding changes

MPa. The devices and equipment may deform, but the system for adjustment and locking shall not release as a result of the applied forces. The deformation shall be limited to ensure that the maximum authorised width of the vehicle is not exceeded by more than 25 mm on each side of the vehicle and the maximum authorised length of the vehicle is not exceeded by more than 200 mm.

- 1.3.1.3. Aerodynamic devices and equipment of cabs, both in the retracted or folded and in-use position, where applicable, shall be constructed in such a way that the maximum authorised width of the vehicle is not exceeded by more than 25 mm on each side of the vehicle and that they do not impair the capability of the vehicle to be used for intermodal transport. In addition, the requirements set out in points 1.3.1.3.1. to 1.3.1.3.4. below shall be met.
 - 1.3.1.3.1. Aerodynamic devices and equipment for cabs shall be type-approved in accordance with this Regulation.
 - 1.3.1.3.2. When installed on a vehicle and both in the retracted or folded and in-use positions, where applicable, no part of the device and equipment shall be above the lower windscreen edge, unless it is not directly visible to the driver due to the instrument panel or other standard interior fittings.
 - 1.3.1.3.3. The device and equipment shall be covered with energy absorbing material. Alternatively, the device and equipment shall consist of material having a hardness of < 60 Shore (A) in accordance with point 1.3.1.4..
 - 1.3.1.3.4. The device and equipment shall not be constructed of material that is prone to breakage into sharp fragments or jagged edges.
- 1.3.1.4. It shall be verified by the technical service, to the satisfaction of the type-approval authority that aerodynamic devices and equipment referred to in points 1.3.1.1, 1.3.1.2 and 1.3.1.3 positioned in both, the in-use and retracted or folded positions, do not impair the driver's forward field of vision and the windscreen wash and wipe functions, as well as do not significantly impair the cooling and ventilation of the powertrain, exhaust system, braking system, occupant cabin and loading area. All other applicable requirements relating to the vehicle systems shall be fully complied with when the devices and equipment are placed in both their in-use and retracted or folded positions.

By way of derogation concerning the applicable requirements relating to front underrun protection, the horizontal distances between the foremost part of the vehicle as fitted with aerodynamic devices and equipment and its front underrun protective device as well as the rear of the rear underrun protection device and the rear extremity of the vehicle as fitted with aerodynamic devices and equipment may be measured without taking the devices and equipment into account on condition that at the rear they exceed 200 mm in length and they are in the in-use condition and that at the front and rear the fundamental sections of the elements placed at a height $\leq 2,0$ m above the ground measured in unladen condition are made of material having a hardness of < 60 Shore (A). Narrow ribs, tubing and metal wire forming a frame or substrate to support the fundamental sections of the elements shall not be taken into account when determining the hardness. However, in order to eliminate the risk of injuries and penetration of other vehicles in the event of a collision, any ends of such ribs, tubing and metal wire shall not be directed forward at the front and rearward at the rear of the vehicle, with the device and equipment both in the retracted or folded and the in-use positions.

As alternative to the derogation concerning the rear underrun protection device referred to in the previous paragraph, the horizontal distances between the rear of the rear underrun protection

Changes to legislation: *There are outstanding changes not yet made to Commission Regulation (EU) No 1230/2012. Any changes that have already been made to the legislation appear in the content and are referenced with annotations. (See end of Document for details) View outstanding changes*

device and the rear extremity of the vehicle as fitted with aerodynamic devices and equipment may be measured without taking the aerodynamic devices and equipment into account provided that they exceed 200 mm in length, they are in the in-use condition and those devices or equipment comply with the test provisions set out in Appendix 4.

The horizontal distances between the rear of the rear underrun protection device and the rear extremity of the vehicle shall however be measured with the aerodynamic devices and equipment positioned in the retracted or folded position or take into account the resulting projection length in accordance with point 1.6.1 of Appendix 4, if this length exceeds that of the retracted or folded position.

1.4. Elongated cabs

1.4.1. Where the front fascia of the motor vehicle's cab location, including all external projections of for example the chassis, bumper, wheel guards and wheels, fully conforms to parameters of the three-dimensional envelope as set out in Appendix 5 and the length of the loading area does not exceed 10,5 m, the vehicle may exceed the maximum authorised length set out in point 1.1.1.

1.4.2. In the case referred to in point 1.4.1, the manufacturer shall indicate the following additional symbol below or to the side of the mandatory inscriptions on the manufacturer's statutory plate, outside a clearly marked rectangle which shall enclose only the mandatory information.

'96/53/EC ARTICLE 9A COMPLIANT'

The height of the symbol's characters shall not be less than 4 mm. The text '96/53/EC ARTICLE 9A COMPLIANT' shall also be added to the 'remarks' in the Certificate of Conformity as to allow inclusion of this information in on-board vehicle registration papers.]

2. Mass distribution for vehicles fitted with bodywork

2.1. Calculation procedure

Notations:

'M'	technically permissible maximum laden mass;
'TM'	technically permissible maximum towable mass;
'MC'	technically permissible maximum laden mass of the combination;
'm _i '	the technically permissible maximum mass on the solo axle designated 'i', where i varies from 1 to the total number of axles of the vehicle;
'm _c '	technically permissible maximum mass at the coupling point;
'μ _j '	the technically permissible maximum mass on the group of axles designated 'j', where j varies from 1 to the total number of groups of axles.

2.1.1. Suitable calculations shall be carried out in order to make sure that the requirements set out in points 2.2 and 2.3 are fulfilled for each technical configuration within the type.

2.1.2. In the case of vehicles fitted with loadable axles, the calculations required under points 2.2 and 2.3 shall be carried out with the suspension of loadable axles in the normal running configuration.

2.1.3. In the case of vehicles fitted with lift axles, the calculations required under points 2.2 and 2.3 shall be carried out with the axles lowered.

[^{F2}2.1.4. In the case of alternatively fuelled or zero-emission motor vehicles:

Changes to legislation: There are outstanding changes not yet made to Commission Regulation (EU) No 1230/2012. Any changes that have already been made to the legislation appear in the content and are referenced with annotations. (See end of Document for details) View outstanding changes

- 2.1.4.1. The additional weight required for alternative fuel or zero-emission technology in accordance with point 2.3. of Annex I to Directive 96/53/EC shall be defined on the basis of the documentation provided by the manufacturer. The correctness of the declared information shall be verified by the Technical Service, to the satisfaction of the Type-Approval Authority.
- 2.1.4.2. The manufacturer shall indicate the following additional symbol as well as the value of the additional weight below or to the side of the mandatory inscriptions on the manufacturer's statutory plate, outside a clearly marked rectangle which shall enclose only the mandatory information.

'96/53/EC ARTICLE 10B COMPLIANT – XXXX KG'

The height of the symbol's characters and stated value shall not be less than 4 mm.

In addition, until the introduction of a dedicated entry in the Certificate of Conformity, the value of the additional weight shall be stated under 'remarks' in the Certificate of Conformity as to allow inclusion of this information in on-board vehicle registration papers.]

2.2. General requirements

- 2.2.1. The sum of the technically permissible maximum mass on the solo axles plus the sum of the technically permissible maximum mass on the groups of axles shall not be less than the technically permissible maximum laden mass of the vehicle.

$$M \leq \sum [m_i + \mu_j]$$

- 2.2.2. For each group of axles designated 'j', the sum of the technically permissible maximum mass on its axles shall not be less than the technically permissible maximum mass on the group of axles.

In addition, each of the masses m_i shall not be less than the part of μ_j applying on the axle 'i' as determined by the mass distribution for that group of axles.

2.3. Specific requirements

- 2.3.1. The mass of the vehicle in running order, plus the mass of the optional equipment plus the mass of the passengers, plus the mass of the coupling if not included in the mass in running order plus the technically permissible maximum mass at the coupling point shall not exceed the technically permissible maximum laden mass of the vehicle.

- 2.3.2. Where the vehicle is laden to its technically permissible maximum laden mass, the mass distributed on an axle 'i' shall not exceed the mass m_i on that axle, and the mass on the group of axles 'j' shall not exceed the mass μ_j .

- 2.3.3. The requirements of point 2.3.2 shall be complied with in the following load configurations:

- 2.3.3.1. Uniform distribution of the pay-mass:

the vehicle shall be at its mass in running order plus the mass of the optional equipment plus the mass of the passengers located at the seating reference points, plus the mass of the coupling (if not included in the mass in running order), plus the maximum permissible mass at the coupling point, plus the pay-mass being distributed uniformly on the cargo area.

- 2.3.3.2. Non-uniform distribution of pay-mass:

Changes to legislation: There are outstanding changes not yet made to Commission Regulation (EU) No 1230/2012. Any changes that have already been made to the legislation appear in the content and are referenced with annotations. (See end of Document for details) View outstanding changes

the vehicle shall be at its mass in running order plus the mass of the optional equipment plus the mass of the passengers located at the seating reference points, plus the mass of the coupling (if not included in the mass in running order), plus the maximum permissible mass at the coupling point, plus the pay-mass located in accordance with the manufacturers specifications.

For such purposes the manufacturer shall state the extreme permissible possible positions of the centre of gravity of the pay-mass and/or body and/or equipment or interior fittings (for instance: from 0,50 m to 1,30 m in front of the first rear axle).

2.3.3.3. Combination of uniform and non-uniform distribution:

The requirements of points 2.3.3.1 and 2.3.3.2 shall be fulfilled simultaneously.

Example, a tipper lorry (distributed load) equipped with an additional crane (localised load).

2.3.3.4. Mass transferred by the fifth wheel coupling (tractor unit for semi-trailer):

the vehicle shall be at its mass in running order plus the mass of the optional equipment plus the mass of the passengers located at the seating reference points, plus the mass of the coupling if not included in the mass in running order, plus the maximum permissible mass at the fifth wheel coupling point located in accordance with the manufacturers' specifications (minimum and maximum fifth-wheel lead).

2.3.3.5. The requirements of points 2.3.3.1 shall always be fulfilled where the vehicle is fitted with a flat cargo area.

2.3.4. Where the vehicle is laden to its technically permissible maximum laden mass, plus the mass of the coupling if not included in the mass in running order, plus the maximum permissible mass at the coupling point in such a way that the maximum permissible maximum mass on the rear group of axle (μ) or the maximum permissible maximum on the rear axle (m) is reached, the mass on the front steering axle(s) shall not be less than 20 % of the technically permissible maximum laden mass of the vehicle.

2.3.5. As regards special purposes vehicles of category N₂ and N₃, the technical service shall check compliance with the requirements of Section 2 in agreement with the manufacturer, taking into account the specific design of the vehicle (for example, mobile cranes).

3. Towing capacity

3.1. The technically permissible maximum laden mass of the combination shall not exceed the sum of the technically permissible maximum laden mass plus the technically permissible maximum towable mass.

$$MC \leq M + TM$$

4. Hill-starting ability and gradeability

4.1. Vehicles designed to tow a trailer and laden to their technically permissible maximum laden mass of the combination shall be capable of starting five times within five minutes at an up-hill gradient of at least 12 %.

4.2. As regard gradeability, off road vehicles shall be tested against the technical requirements of Annex II.

Changes to legislation: There are outstanding changes not yet made to Commission Regulation (EU) No 1230/2012. Any changes that have already been made to the legislation appear in the content and are referenced with annotations. (See end of Document for details) View outstanding changes

4.2.1. The requirements of Section 5 of Appendix 1 to Annex II to Directive 2007/46/EC shall also apply.

5. Engine power

5.1. Vehicles shall provide an engine power output of at least 5 kW per tonne of the technically permissible maximum laden mass of the combination.

5.1.1. In the case of a road tractor, or a tractor unit for semi-trailer intended for the transport of indivisible loads, the engine power shall be at least 2 kW per tonne of the technically permissible maximum laden mass of the combination.

[^{F2}5.1.2. The requirements in points 5.1 and 5.1.1 shall not apply to the electric-only driving mode of hybrid electric vehicles.]

[^{F1}5.2. The engine power shall be measured in accordance with UNECE Regulation No 85.]

6. Manoeuvrability

6.1. The vehicle shall be capable of manoeuvring on either side of a complete trajectory of 360° as shown in Figure 1 of Appendix 3 to this Annex without any of the vehicle's outermost points protruding beyond the outer circle or intruding inside the inner circle as the case may be.

6.1.1. The test shall be conducted with the vehicle in both the unladen conditions (i.e. at its mass in running order) and loaded to its technically maximum permissible laden mass. [^{F2}If the vehicle is equipped with aerodynamic devices or equipment referred to in points 1.3.1.1, 1.3.1.2 and 1.3.1.3, the devices and equipment shall be in the deployed and in-use position or in the fixed in-use position where applicable for devices and equipment covered by point 1.3.1.3.]

6.1.2. For the purposes of point 6.1, the parts permitted to protrude beyond the vehicle width referred to in Appendix 1 to this Annex shall not be taken into account.

6.2. For vehicles fitted with axle-lift devices, the requirement of point 6.1 shall also apply with the lift axle(s) in the lifted position and where the loadable axle(s) is in service.

6.3. The requirements of point 6.1 shall be verified as follows

6.3.1. The vehicle shall manoeuvre inside an area defined by two concentric circles, the outer circle having a radius of 12,50 m and the inner circle having a radius of 5,30 m

6.3.2. The outermost front point of the motor vehicle shall be guided along the contour of the outer circle (see Figure 1 of Appendix 3 to this Annex)

[^{F2}6.4. With the agreement of the Technical Service and the Type-Approval Authority, the manoeuvrability requirements may be proved by numerical simulation in accordance with Annex XVI to Directive 2007/46/EC. In case of doubt, the Technical Service or Type-Approval Authority may require a physical full-scale test to be carried out.]

7. Maximum rear swing-out

7.1. The vehicle shall be tested in accordance with the steady-state test method described in point 7.1.1. [^{F2}If the vehicle is equipped with aerodynamic devices or equipment referred to in points 1.3.1.1, 1.3.1.2 and 1.3.1.3, the devices and equipment shall be in the deployed and in-use position.]

Changes to legislation: There are outstanding changes not yet made to Commission Regulation (EU) No 1230/2012. Any changes that have already been made to the legislation appear in the content and are referenced with annotations. (See end of Document for details) View outstanding changes

7.1.1. Steady-state test method

- 7.1.1.2. The vehicle shall be stationary and shall have its front steered wheels so directed that if the vehicle moves, its outermost point would describe a circle of 12,50 m radius.

A vertical plane tangential to the side of the vehicle and facing outwards from the circle shall be established by marking a line on the ground.

The vehicle shall move forward such as the front outermost point follows the contour of the outer circle of 12,50 m radius.

- 7.2. The maximum rear swing-out shall not exceed: (see Figure 3 of Appendix 3 to this Annex)

- (a) 0,80 m;
- (b) 1,00 m where the vehicle is fitted with an axle-lift device and the axle is cleared off the ground;
- (c) 1,00 m where the rearmost axle is a steered axle.

- [^{F2}7.3. With the agreement of the Technical Service and the Type-Approval Authority, the maximum rear swing-out requirements may be proved by numerical simulation in accordance with Annex XVI to Directive 2007/46/EC. In case of doubt, the Technical Service or Type-Approval Authority may require a physical full-scale test to be carried out.]

PART D

Vehicles of category O

1. Maximum authorised dimensions

- 1.1. The dimensions shall not exceed the following values:

1.1.1. Length

- (a) Trailer: 12,00 m including drawbar;
- (b) Semi-trailer: 12,00 m plus the front overhang.

1.1.2. Width

- (a) 2,55 m for any vehicle;
- (b) [^{F1}2,60 m for vehicles fitted with a bodywork with insulated walls of at least 45 mm thick, having bodywork code 04 or 05 of Appendix 2 to Annex II to Directive 2007/46/EC.]

- 1.1.3. Height: 4,00 m.

- 1.1.4. Front fitting radius of semi-trailer: 2,04 m.

- 1.2. For the purposes of measurement of the length, width and height, the vehicle shall be at its mass in running order, placed on a horizontal and flat surface with tyres inflated at the pressure recommended by the manufacturer.

Changes to legislation: There are outstanding changes not yet made to Commission Regulation (EU) No 1230/2012. Any changes that have already been made to the legislation appear in the content and are referenced with annotations. (See end of Document for details) [View outstanding changes](#)

- 1.3. The measurement of the length, height and front fitting radius shall be conducted where the loading surface or the reference surface referred to in point 1.2.1 second subparagraph of Annex 7 to UNECE Regulation No 55 is horizontal.

Adjustable drawbars shall be horizontal and aligned with the centre-line of the vehicle. They shall be set at their horizontal most elongated position.

- [^{F1}1.4. The devices and equipment referred to in Appendix 1 shall not be taken into account for the determination of the length, width and height.]

- [^{F2}1.4.1. Additional requirements for aerodynamic devices referred to in Appendix 1

- 1.4.1.1. Aerodynamic devices and equipment not exceeding 500 mm in length in the in-use position shall not increase the usable length of the loading area. They shall be constructed in such a way as to make it possible to lock them in both the retracted or folded and the in-use positions. Such devices and equipment shall furthermore be constructed so as to be retractable or foldable when the vehicle is at stand-still in such a way that the maximum authorised width of the vehicle is not exceeded by more than 25 mm on each side of the vehicle and the maximum authorised length of the vehicle is not exceeded by more than 200 mm as permitted only from a height above the ground of at least 1 050 mm so that they do not impair the capability of the vehicle to be used for intermodal transport. In addition, the requirements set out in points 1.4.1.1.1 to 1.4.1.1.3. shall be met.

- 1.4.1.1.1. The devices and equipment shall be type-approved in accordance with this Regulation.

- 1.4.1.1.2. It shall be possible for the operator to vary the position of the aerodynamic device and equipment, and to retract and fold it, by applying a manual force not exceeding 40 daN. In addition, this may be done automatically as well.

- 1.4.1.1.3. It is not required for devices and equipment to be retractable or foldable if the maximum dimensional requirements are fully complied with under all conditions.

- 1.4.1.2. Aerodynamic devices and equipment exceeding 500 mm in length in the in-use position shall not increase the usable length of the loading area. They shall be constructed in such a way to make it possible to lock them in both the retracted or folded and the in-use positions. Such devices shall furthermore be constructed so as to be retractable or foldable when the vehicle is at stand-still in such a way that the maximum authorised width of the vehicle is not exceeded by more than 25 mm on each side of the vehicle and the maximum authorised length of the vehicle is not exceeded by more than 200 mm as permitted only from a height above the ground of at least 1 050 mm so that they do not impair the capability of the vehicle to be used for intermodal transport. In addition, the requirements set out in points 1.4.1.2.1. to 1.4.1.2.4. shall be met.

- 1.4.1.2.1. The devices and equipment shall be type-approved in accordance with this Regulation.

- 1.4.1.2.2. It shall be possible for the operator to vary the position of the aerodynamic device and equipment, and retract or fold it, by applying a manual force not exceeding 40 daN. In addition, this may be done automatically as well.

- 1.4.1.2.3. Each main vertical element or combination of elements and main horizontal element or combination of elements forming the devices and equipment shall, when installed on the vehicle and in the in-use position, withstand vertical and horizontal traction and push forces, applied sequentially in up, down, left and right direction, of 200 daN \pm 10 % applied statically to the geometric centre of the relevant perpendicular projected

Changes to legislation: *There are outstanding changes not yet made to Commission Regulation (EU) No 1230/2012. Any changes that have already been made to the legislation appear in the content and are referenced with annotations. (See end of Document for details) View outstanding changes*

surface, at a maximum pressure of 2,0 MPa. The devices and equipment may deform, but the system for adjustment and locking shall not release as a result of the applied forces. The deformation shall be limited to ensure that the maximum authorised width of the vehicle is not exceeded by more than 25 mm on each side of the vehicle, during and after the test.

1.4.1.2.4. Each main vertical element or combination of elements and main horizontal element or combination of elements forming the devices and equipment shall also, when in the retracted or folded position, withstand a horizontal traction force applied in longitudinal rearward direction, of 200 daN \pm 10 % applied statically to the geometric centre of the relevant perpendicular projected surface, at a maximum pressure of 2,0 MPa. The devices and equipment may deform, but the system for adjustment and locking shall not release as a result of the applied forces. The deformation shall be limited to ensure that the maximum authorised width of the vehicle is not exceeded by more than 25 mm on each side of the vehicle and the maximum authorised length of the vehicle is not exceeded by more than 200 mm.

1.4.1.3. It shall be verified by the technical service, to the satisfaction of the type-approval authority that aerodynamic devices and equipment positioned in both, the in-use and the retracted or folded positions, do not completely block the ventilation of the loading area. All other applicable requirements relating to the vehicle systems shall be fully complied with when the devices and equipment are placed in both their in-use and retracted or folded positions.

By way of derogation concerning the applicable requirements relating to rear underrun protection, the horizontal distances between the rear of the rear underrun protection device and the rear extremity of the vehicle as fitted with aerodynamic devices and equipment may be measured without taking the devices and equipment into account on condition that they exceed 200 mm in length, they are in the in-use condition and the fundamental sections of the elements placed at a height \leq 2,0 m above the ground measured in unladen condition are made of material having a hardness of $<$ 60 Shore (A). Narrow ribs, tubing and metal wire forming a frame or substrate to support the fundamental sections of the elements shall not be taken into account when determining the hardness. However, in order to eliminate the risk of injuries and penetration of other vehicles in the event of a collision, any ends of such ribs, tubing and metal wire shall not be directed rearward at the rear of the vehicle, with the device and equipment both in the retractable or folded and the in-use positions.

As alternative to the derogation referred to in the previous paragraph, the horizontal distances between the rear of the rear underrun protection device and the rear extremity of the vehicle as fitted with aerodynamic devices and equipment may be measured without taking the aerodynamic devices and equipment into account provided that they exceed 200 mm in length, they are in the in-use condition and those devices or equipment comply with the test provisions set out in Appendix 4.

The horizontal distances between the rear of the rear underrun protection device and the rear extremity of the vehicle shall however be measured with the aerodynamic devices and equipment positioned in the retracted or folded position or take into account the resulting projection length in accordance with point 1.6.1 of Appendix 4, if this length exceeds that of the retracted or folded position.]

2. Mass distribution for vehicles fitted with bodywork

2.1. Calculation procedure

Notations:

Changes to legislation: There are outstanding changes not yet made to Commission Regulation (EU) No 1230/2012. Any changes that have already been made to the legislation appear in the content and are referenced with annotations. (See end of Document for details) View outstanding changes

‘M’	technically permissible maximum laden mass;
‘m ₀ ’	technically permissible maximum mass at the front coupling point;
‘m _i ’	the technically permissible maximum mass on the axle designated ‘i’, where i varies from 1 to the total number of axles of the vehicle;
‘m _c ’	technically permissible maximum mass at the rear coupling point;
‘μ _j ’	the technically permissible maximum mass on the group of axles designated ‘j’, where j varies from 1 to the total number of groups of axles.

2.1.1. Suitable calculations shall be carried out in order to make sure that the requirements set out in points 2.2 and 2.3 are fulfilled for each technical configuration within the type.

2.1.2. In the case of vehicles fitted with loadable axles, the calculations required under points 2.2 and 2.3 shall be carried out with the suspension of loadable axles in the normal running configuration.

2.1.3. In the case of vehicles fitted with lift axles, the calculations required under points 2.2 and 2.3 shall be carried out with the axles lowered.

2.2. General requirements

[^{F1}2.2.1. The sum of the technically permissible maximum mass at the front coupling point plus the technically permissible maximum mass on the solo axles and/or group(s) of axles plus the technically permissible maximum mass at the rear coupling point shall be not less than the technically permissible maximum laden mass of the vehicle.

$$M \leq \Sigma [m_0 + m_i + m_c] \text{ or } M \leq \Sigma [m_0 + \mu_j + m_c].]$$

2.2.2. For each group of axles designated ‘j’, the sum of the masses m_i on its axles shall not be less than the mass μ_j.

In addition, each of the masses m_i shall not be less than the part of μ_j applying on the axle ‘i’ as determined by the mass distribution for that group of axles.

2.3. Specific requirements

2.3.1. The mass of the vehicle in running order, plus the mass of the optional equipment plus the technically permissible maximum mass at the coupling point(s) shall not exceed the technically permissible maximum laden mass of the vehicle.

2.3.2. Where the vehicle is laden to its technically permissible maximum laden mass, the mass distributed on a solo axle ‘i’ shall neither exceed the mass m_i on that axle, nor the mass μ_j on the group of axles, nor the technically permissible maximum mass at the coupling point m₀.

2.3.3. The requirements of point 2.3.2 shall be complied with in the following load configurations:

2.3.3.1. Uniform distribution of the pay-mass

The vehicle shall be at its mass in running order plus the mass of the optional equipment plus the pay-mass being distributed uniformly on the cargo area;

2.3.3.2. Non-uniform distribution of the pay-mass

The vehicle shall be at its mass in running order plus the mass of the optional equipment plus the pay-mass located in accordance with the manufacturer’s specifications.

Changes to legislation: There are outstanding changes not yet made to Commission Regulation (EU) No 1230/2012. Any changes that have already been made to the legislation appear in the content and are referenced with annotations. (See end of Document for details) View outstanding changes

For such purposes the manufacturer shall state the extreme permissible possible positions of the centre of gravity of the pay-mass and/or body and/or equipment or interior fittings (for instance: from 0,50 m to 1,30 m in front of the first rear axle);

2.3.3.3. Combination of uniform and non-uniform distribution:

The requirements of points 2.3.3.1 and 2.3.3.2 shall be fulfilled simultaneously.

2.3.3.4. The requirements of points 2.3.3.1 shall always be fulfilled where the vehicle is fitted with a flat cargo area.

2.3.4. Specific requirements for trailer caravans

2.3.4.1. The minimum pay-mass (PM) shall meet the following requirement:

$$PM \text{ in kg} \geq 10(n + L)$$

Where

‘n’ is the maximum number of berths and
‘L’ is the overall length of the body length as defined in point 6.1.2 of Standard ISO 7237:1981.

3. Manoeuvrability requirements

3.1. Trailers and semi-trailers shall be so designed that, when coupled to a towing vehicle, the combination is capable of manoeuvring on either side of a complete trajectory of 360° made up of two concentric circles, the outer circle having a radius of 12,50 m and the inner circle having a radius of 5,30 m without any of the vehicle’s outermost points of the towing vehicle protruding beyond the outer circle or any of the outermost points of the trailer or semi-trailer intruding inside the inner circle. [^{F2}If the trailer or semi-trailer is equipped with aerodynamic devices or equipment referred to in points 1.4.1.1 or 1.4.1.2, the devices and equipment shall be in the in-use and deployed position.]

[^{F1}3.2. A semi-trailer not equipped with aerodynamic devices or equipment referred to in points 1.4.1.1 or 1.4.1.2 shall be deemed to comply with the requirement set out in point 3.1. if its reference wheelbase ‘RWB’ meets the following requirement:

$$RWB \leq [(12,50 - 2,04)^2 - (5,30 + \frac{1}{2} W)^2]^{1/2}$$

where:

‘RWB’ is the distance between the king-pin axis and the centre line of the non-steering axles.

‘W’ is the semi-trailer’s width.]

3.3. Where one or more of the non-steering axles has an axle lift device the reference wheelbase with the axle lowered or the axle lifted — whichever is the longest — shall be taken into account.

Changes to legislation: There are outstanding changes not yet made to Commission Regulation (EU) No 1230/2012. Any changes that have already been made to the legislation appear in the content and are referenced with annotations. (See end of Document for details) View outstanding changes

Appendix 1

List of devices and equipment that are not required to be taken into account for the determination of the outermost dimensions

- [^{F1}1. Subject to the additional restrictions provided in the following tables, the devices and equipment listed in Tables I, II and III are not required to be taken into account for the determination and calculation of the outermost dimensions where the following requirements are fulfilled:
- (a) where devices are fitted at the front, with the exception of aerodynamic devices and equipment of cabs, the total protrusion of those devices shall not exceed 250 mm;
 - (b) the total protrusion of devices and equipment added to the length of the vehicle, with the exception of aerodynamic devices and equipment, shall not exceed 750 mm;
 - (c) the total protrusion of devices and equipment added to the width of the vehicle shall not exceed 100 mm.
2. The requirements set out in points (a), (b) and (c) of point 1 shall not apply to devices for indirect vision.]

TABLE I

Vehicle length

Item	Vehicles categories										
	M ₁	M ₂	M ₃	N ₁	N ₂	N ₃	O ₁	O ₂	O ₃	O ₄	
1. Devices for indirect vision as defined in point 2.1 of UNECE Regulation No 46 ^a	x	x	x	x	x	x	x	x	x	x	x
2. Wiper and washer devices	x	x	x	x	x	x					
3. External sun visors	—	—	—	—	x	x	—	—	—	—	—
4. Frontal protection	x			x							

^a OJ L 177, 10.7.2010, p. 211.

^b OJ L 35, 4.2.2009, p. 1.

^c OJ L 135, 23.5.2008, p. 1.

Changes to legislation: There are outstanding changes not yet made to Commission Regulation (EU) No 1230/2012. Any changes that have already been made to the legislation appear in the content and are referenced with annotations. (See end of Document for details) View outstanding changes

	system type-approved in accordance with Regulation (EC) No 78/2009 of the European Parliament and of the Council ^b										
5.	Access steps and hand-holds	—	x	x	x	x	x	x	x	x	x
[^{F1} 6.	Mechanical couplings	X	X	X	X	X]
7.	Additional coupling at the rear of a trailer (when removable)	—	—	—	—	—	x	x	x	x	
8.	Bike carrier (when removable or retractable)	x			x	—	—	—	—	—	—
9.	Lift platforms, access ramps or similar equipment (when they	x	x	x	x	x	x	x	x	x	x

a [OJ L 177, 10.7.2010, p. 211.](#)

b [OJ L 35, 4.2.2009, p. 1.](#)

c [OJ L 135, 23.5.2008, p. 1.](#)

Changes to legislation: There are outstanding changes not yet made to Commission Regulation (EU) No 1230/2012. Any changes that have already been made to the legislation appear in the content and are referenced with annotations. (See end of Document for details) View outstanding changes

	are in undeployed position and do not protrude by more than 300 mm) provided that the loading capacity of the vehicle is not increased.										
10.	Watching- and detection aids including radars	x	x	—	x	x	x	x	x	x	x
11.	Resilient-buffers and similar equipment	—	—	—	x	x	x	x	x	x	x
12.	Custom-sealing devices and their protections	—	—	x	x	x	x	x	x	x	x
13.	Devices for securing the tarpaulin and their protection	—	—	x	x	x	x	x	x	x	x

a [OJ L 177, 10.7.2010, p. 211.](#)

b [OJ L 35, 4.2.2009, p. 1.](#)

c [OJ L 135, 23.5.2008, p. 1.](#)

Changes to legislation: There are outstanding changes not yet made to Commission Regulation (EU) No 1230/2012. Any changes that have already been made to the legislation appear in the content and are referenced with annotations. (See end of Document for details) View outstanding changes

14.	Length stops for demountable bodies	—	—	—	—	X	X	X	X	X	X
15.	Trolley booms of electrically-propelled vehicles	—	—	X	—	—	—	—	—	—	—
16.	Front or rear marking plates	—	X	X	—	X	X	X	X	X	X
17.	Optional lamps as defined in Section 2 of UNECE Regulation No 48 ^c .	X	X	X	X	X	X	X	X	X	X
[^{F1} 18.	Aerodynamic devices and equipment	X	X			X	X			X	X]
[^{F2} 19.	Antennas used for vehicle-to-vehicle or vehicle-to-infrastructure communication	X	X	X	X	X	X	X	X	X	X]

a OJ L 177, 10.7.2010, p. 211.

b OJ L 35, 4.2.2009, p. 1.

c OJ L 135, 23.5.2008, p. 1.

TABLE II

Vehicle width

Changes to legislation: There are outstanding changes not yet made to Commission Regulation (EU) No 1230/2012. Any changes that have already been made to the legislation appear in the content and are referenced with annotations. (See end of Document for details) View outstanding changes

Item		Vehicles categories									
		M ₁	M ₂	M ₃	N ₁	N ₂	N ₃	O ₁	O ₂	O ₃	O ₄
1.	Devices for indirect vision as defined in point 2.1 of UNECE Regulation No 46	x	x	x	x	x	x	x	x	x	x
2.	The deflected part of the tyre walls at the point of contact with the road surface	x	x	x	x	x	x	x	x	x	x
3.	Tyre failure tell-tale devices	—	—	x	x	x	x	x	x	x	x
4.	Tyre-pressure indicators	—	—	x	x	x	x	x	x	x	x
5.	Side-marker lamps	x	x	x	x	x	x	x	x	x	x
6.	Lighting equipment										
	6.1. End-outline marker lamps	x	x	x	x	x	x	x	x	x	x

a OJ L 34, 9.2.2011, p. 2.

Changes to legislation: There are outstanding changes not yet made to Commission Regulation (EU) No 1230/2012. Any changes that have already been made to the legislation appear in the content and are referenced with annotations. (See end of Document for details) View outstanding changes

	6.2.	x	x	x	x	x	x	x	x	x	x
		Side-retro-reflectors									
	6.3.	x	x	x	x	x	x	x	x	x	x
		Direction-indicator lamps									
	6.4.	—	—	—	—	x	x	x	x	x	x
		Rear position lamps									
	6.5.	—	x	x	—	—	—	—	—	—	—
		Service-door lighting systems									
7.	Access ramps, lift platforms and similar equipment (when undeployed and provided that they do not exceed 10 mm from the side of the vehicle and the corners of the ramps facing forwards or rearwards are rounded	—	x	x	—	x	x	x	x	x	x

Changes to legislation: There are outstanding changes not yet made to Commission Regulation (EU) No 1230/2012. Any changes that have already been made to the legislation appear in the content and are referenced with annotations. (See end of Document for details) View outstanding changes

	to a radius of not less than 5 mm; the edges must be rounded to a radius of not less than 2,5 mm										
8.	Retractable lateral guidance devices intended for use on guided bus system, if not retracted.	—	x	—	—	—	—	—	—	—	—
9.	Retractable steps when deployed and the vehicle is in stand-still position	x	x	x	x	x	x	x	x	x	x
10.	Warning and detection aids including radars	x	x		x	x	x	x	x	x	x

Changes to legislation: There are outstanding changes not yet made to Commission Regulation (EU) No 1230/2012. Any changes that have already been made to the legislation appear in the content and are referenced with annotations. (See end of Document for details) View outstanding changes

[^{F1} 11.	Aerodynamic devices and equipment The vehicle width, including that of conditioned body with insulated walls, shall not exceed 2 600 mm including the measured projections, with the devices and equipment fixed in both the retracted or folded and the in-use positions.	X	X		X	X			X	X]
12.	Customs— sealing devices and their protection	—	—	x	x	x	x	x	x	x
13.	Devices— for securing the	—	—	x	x	x	x	x	x	x

Changes to legislation: There are outstanding changes not yet made to Commission Regulation (EU) No 1230/2012. Any changes that have already been made to the legislation appear in the content and are referenced with annotations. (See end of Document for details) View outstanding changes

	<p>tarpaulin and their protection not projecting by more than 20 mm where they are no more than 2,0 m from the ground level and no more than 50 mm where they are more than 2,0 m from the ground level. The edges shall be rounded to a radius of not less than 2,5 mm.</p>									
14.	Protruding flexible	—	—	—	x	x	—	—	x	x

a [OJ L 34, 9.2.2011, p. 2.](#)

Changes to legislation: There are outstanding changes not yet made to Commission Regulation (EU) No 1230/2012. Any changes that have already been made to the legislation appear in the content and are referenced with annotations. (See end of Document for details) View outstanding changes

	parts of a spray-suppression system referred to in Commission Regulation (EU) No 109/2011 ^a .										
15.	Flexible mudguards not covered under entry 14.		x	x	x	x	x	x	x	x	x
16.	Snow chains	x	x	x	x	x	x	x	x	x	x
17.	Safety railings on vehicle transporters. Only for vehicles designed and constructed to transport at least two other vehicles and for which the safety railings are more than 2,0 m but	—	—	—	—	x	x	—	—	x	x

^a OJ L 34, 9.2.2011, p. 2.

Changes to legislation: There are outstanding changes not yet made to Commission Regulation (EU) No 1230/2012. Any changes that have already been made to the legislation appear in the content and are referenced with annotations. (See end of Document for details) View outstanding changes

	not more than 3,70 m from the ground and do not project by more than 50 mm from the outermost side of the vehicle. The vehicle width shall not exceed 2 650 mm.										
[^{F2} 18.	Antennas used for vehicle-to-vehicle or vehicle-to-infrastructure communication	X	X	X	X	X	X	X	X	X	X]
[^{F2} 19.	Flexible hoses of tyre pressure monitoring systems provided that					X				X	X]

Changes to legislation: There are outstanding changes not yet made to Commission Regulation (EU) No 1230/2012. Any changes that have already been made to the legislation appear in the content and are referenced with annotations. (See end of Document for details) View outstanding changes

they do not protrude by more than 70 mm on each side from the outermost width of the vehicle											
a	OJ L 34, 9.2.2011, p. 2.										

[^{F1}TABLE III

Vehicle height

		M ₁	M ₂	M ₃	N ₁	N ₂	N ₃	O ₁	O ₂	O ₃	O ₄
1.	Antennas used for radio, navigation, vehicle-to-vehicle or vehicle-to-infrastructure communication	X	X	X	X	X	X	X	X	X	X
2.	Pantographs or trolley booms in their elevated position			X			X				I

Changes to legislation: There are outstanding changes not yet made to Commission Regulation (EU) No 1230/2012. Any changes that have already been made to the legislation appear in the content and are referenced with annotations. (See end of Document for details) View outstanding changes

Appendix 2

Permissible deviations for type-approval and conformity of production

1. Dimensions

- 1.1. Measurement of the overall length, width and height shall be carried out in accordance with point 1.2 of Parts A to D of this Annex.
- 1.2. Under the condition that the limits specified in point 1.1 of Part A to D of this Annex are not exceeded, the actual dimensions may differ from those stated by the manufacturer by not more than 3 %.

2. Mass in running order and actual mass of the vehicle

- 2.1. The mass in running order shall be checked from the actual mass by weighing the vehicle and deducting the mass of the optional equipment fitted. For such purposes the weighing instrument shall comply with the requirements of Directive 2009/23/EC of the European Parliament and of the Council⁽³⁾.
- 2.2. The mass in running order determined in accordance with the requirements of point 2.1 may deviate from the nominal value stated in point 2.6(b) of Annex I or in Part I, section A or B of Annex III to Directive 2007/46/EC or in the relevant entry of the certificate of conformity by not more than:
 - (a) 3 % as regards the permissible lower and upper deviations (= the negative and positive deviation around the declared value) as regards M, N and O vehicles with the exception of special purpose vehicles;
 - (b) 5 % as regards the permissible lower and upper deviations (= the negative and positive deviation around the declared value) as regards special purpose vehicles;
 - (c) 5 % as regards the permissible lower and upper deviations (= the negative and positive deviation around the declared value) for the purposes of Article 12(2) of Directive 2007/46/EC.

Changes to legislation: There are outstanding changes not yet made to Commission Regulation (EU) No 1230/2012. Any changes that have already been made to the legislation appear in the content and are referenced with annotations. (See end of Document for details) View outstanding changes

Appendix 3

Figures regarding manoeuvrability requirements

Figure 1

Manoeuvrability circle

$r = 5,3 \text{ m}$

$R = 12,5 \text{ m}$

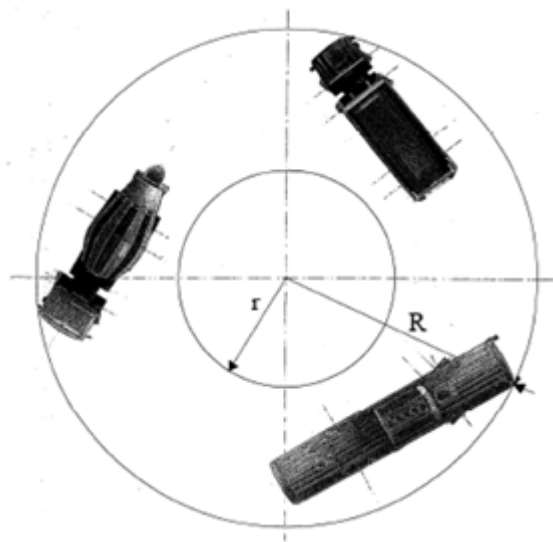


Figure 2 Drive-in method for M₂ and M₃ vehicles

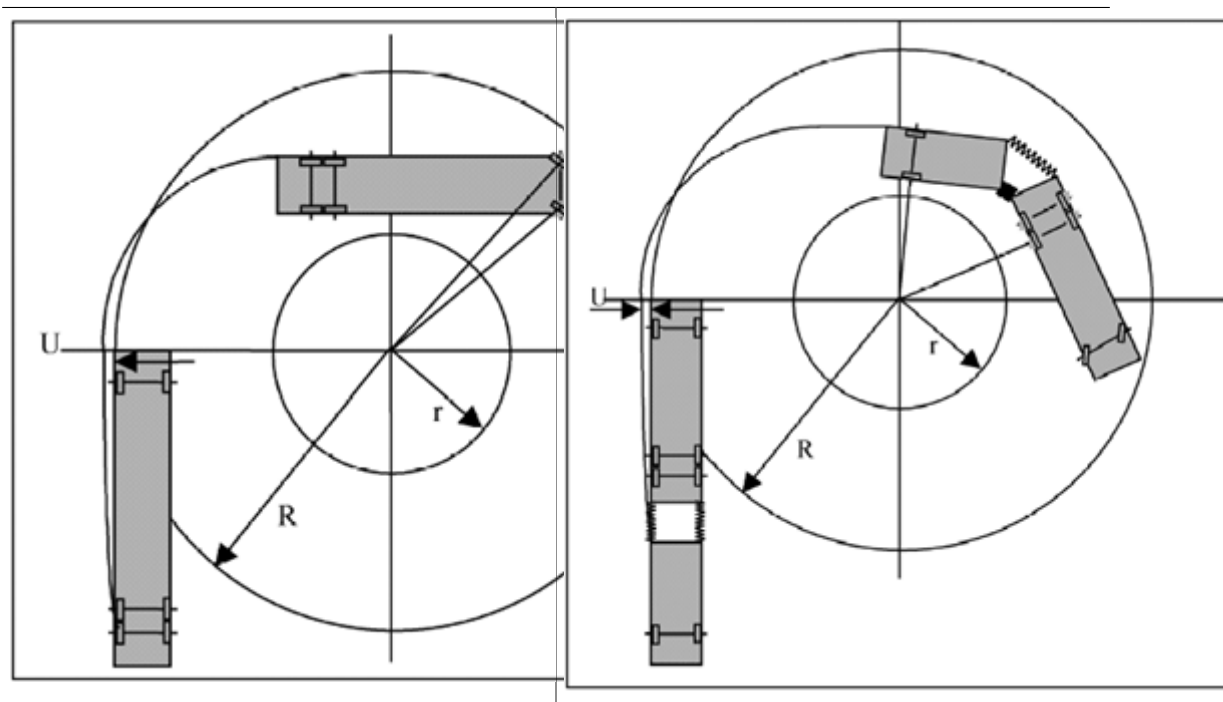
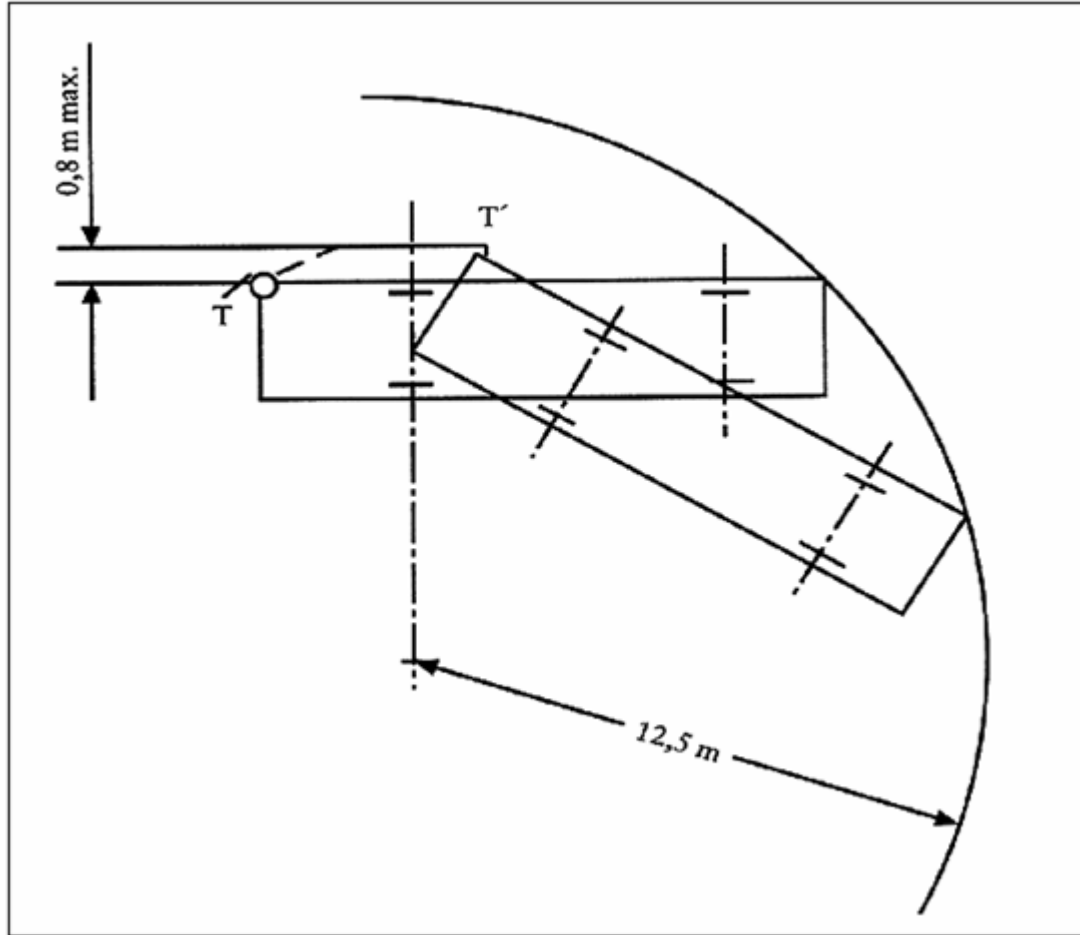


Figure 3

Changes to legislation: There are outstanding changes not yet made to Commission Regulation (EU) No 1230/2012. Any changes that have already been made to the legislation appear in the content and are referenced with annotations. (See end of Document for details) View outstanding changes

Steady-state method for N₂ and N₃ vehicles



Changes to legislation: There are outstanding changes not yet made to Commission Regulation (EU) No 1230/2012. Any changes that have already been made to the legislation appear in the content and are referenced with annotations. (See end of Document for details) View outstanding changes

^{F2}Appendix 4

Aerodynamic device and equipment crash test

1. Test conditions for aerodynamic devices and equipment
 - 1.1. At the request of the manufacturer the test shall be conducted on one of the following:
 - 1.1.1. on a vehicle of the type for which an aerodynamic device and equipment is intended;
 - 1.1.2. on a part of the body of the vehicle type for which the aerodynamic device and equipment is intended; that part shall be representative of the vehicle type(s) in question;
 - 1.1.3. on a rigid wall.
 - 1.2. Where the test is conducted as referred to in points 1.1.2. and 1.1.3., the parts used to connect the aerodynamic devices and equipment to a part of the vehicle body or to a rigid wall shall be equivalent to those which are used to secure the aerodynamic devices and equipment when it is installed on the vehicle. Every device shall be accompanied by installation and operating instructions giving sufficient information for any competent person to install it correctly.
 - 1.3. At the request of the manufacturer the test procedure described in point 1.5. may be conducted by numerical simulation in accordance with Annex XVI to Directive 2007/46/EC.

The mathematical model shall be validated only if it is comparable with the physical test conditions. To that effect, a physical test shall be conducted for the purposes of comparing the results obtained when using the mathematical model with the results of a physical test. Comparability of the test results shall be proven. A validation report shall be drafted by the manufacturer.

Any change made to the mathematical model or to the software likely to invalidate the validation report shall require a new validation in accordance with the previous paragraph.

- 1.4. Conditions for the conduct of tests or simulations.
 - 1.4.1. The vehicle shall be at rest on a level, flat, rigid and smooth surface.
 - 1.4.2. Any front wheels shall be in the straight ahead position.
 - 1.4.3. The tyres shall be inflated to the pressure recommended by the vehicle manufacturer.
 - 1.4.4. The vehicle shall be unladen.
 - 1.4.5. The vehicle may, if necessary to achieve the test force required in point 1.5.1.2., be restrained by any method. This method shall be specified by the vehicle manufacturer.
 - 1.4.6. Vehicles equipped with hydropneumatic, hydraulic or pneumatic suspension or a device for automatic levelling according to load shall be tested with the suspension or device in the normal running condition specified by the manufacturer.
- 1.5. Test procedure
 - 1.5.1. The tests shall be carried out to assess that the aerodynamic device and equipment offer a specified level of deformation to forces applied parallel to the longitudinal axis of the vehicle as referred to in point 1.6.1. Alternatively, the device may also become folded or retracted under the influence of force. The fulfilment of the requirement referred to in point 1.6.2. shall be verified by means of suitable test mandrels for the purpose of

Changes to legislation: There are outstanding changes not yet made to Commission Regulation (EU) No 1230/2012. Any changes that have already been made to the legislation appear in the content and are referenced with annotations. (See end of Document for details) View outstanding changes

the crash test. The device used to distribute the test force over the stated flat surface shall be connected to the force actuator through a swivel joint. In cases of geometric incompatibilities an adaptor may be used instead of a device with a flat surface.

- 1.5.1.1. A force shall be applied parallel to the longitudinal axis of the vehicle via a surface or adaptor not more than 250 mm in height and 200 mm wide with a radius of curvature of 5 ± 1 mm at the vertical edges. The surface shall not be rigidly fixed to the aerodynamic device and equipment and shall be articulated in all directions. When the test is carried out on a vehicle as referred to in point 1.1.1., the height of the lower edge of the surface or adaptor shall be specified by the manufacturer in an area between the lowest edge of the aerodynamic device and equipment and a point of the upper edge of the surface or adaptor that is no more than 2,0 m above the ground in vehicle-mounted condition (see figure 1). This point is to be specified on a laden vehicle with the technically permissible maximum laden mass.

Where the test is carried out on a part of the body of the vehicle type as referred to in point 1.1.2. or on a rigid wall as referred to in point 1.1.3., the height of the centre of the surface or adaptor shall be specified by the manufacturer in an area between the lowest edge of the aerodynamic device and equipment and the point that represents the height of no more than 2,0 m above the ground in vehicle-mounted condition on a laden vehicle with the technically permissible maximum laden mass (see figure 2).

The exact location of the centre of the surface or adaptor in the area of application of forces shall be specified by the manufacturer. Where the aerodynamic device and equipment have different degrees of stiffness in the area of application of the forces (e.g. due to reinforcements, different materials or thicknesses, etc.), the location of the centre of the surface or adaptor shall be located in the area with the highest resistance against external forces in longitudinal direction of the vehicle.

Figure 1 Test point height

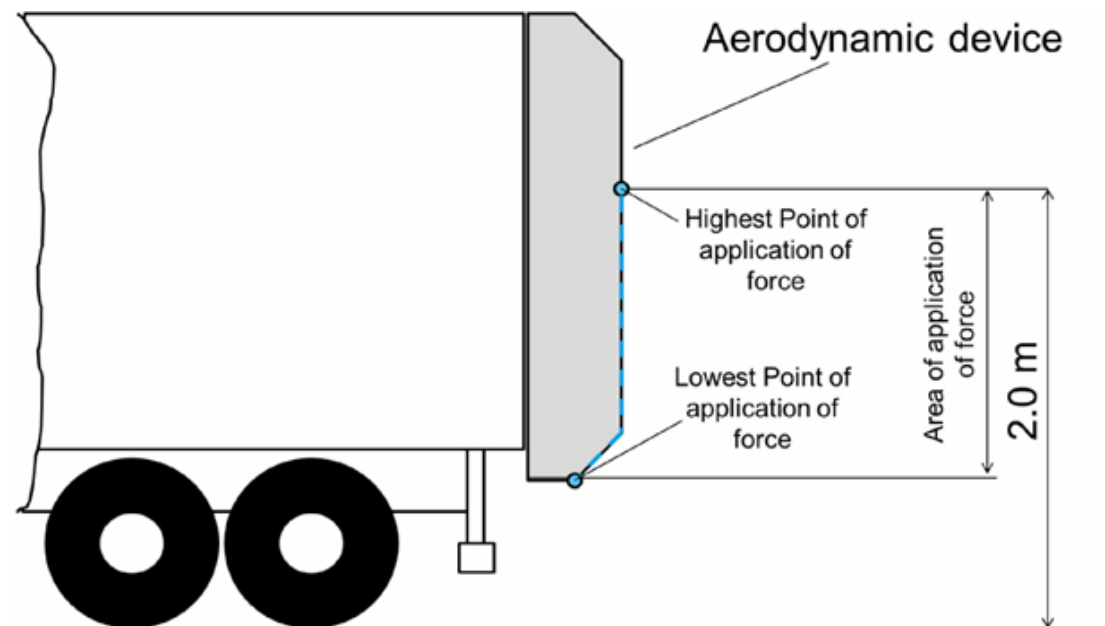
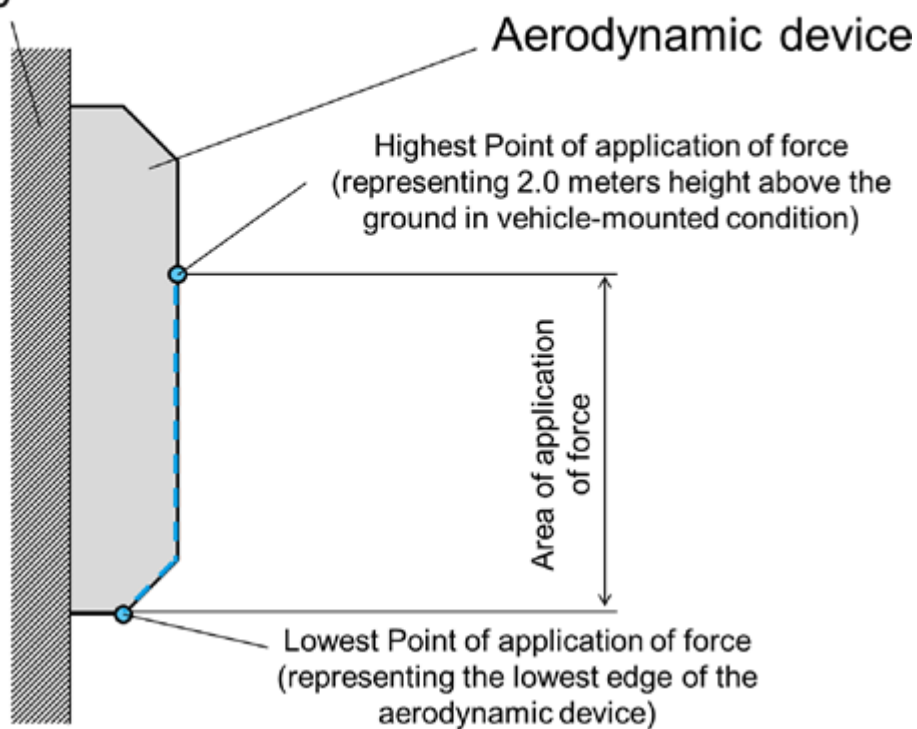


Figure 2 Example of test setup

Changes to legislation: There are outstanding changes not yet made to Commission Regulation (EU) No 1230/2012. Any changes that have already been made to the legislation appear in the content and are referenced with annotations. (See end of Document for details) View outstanding changes

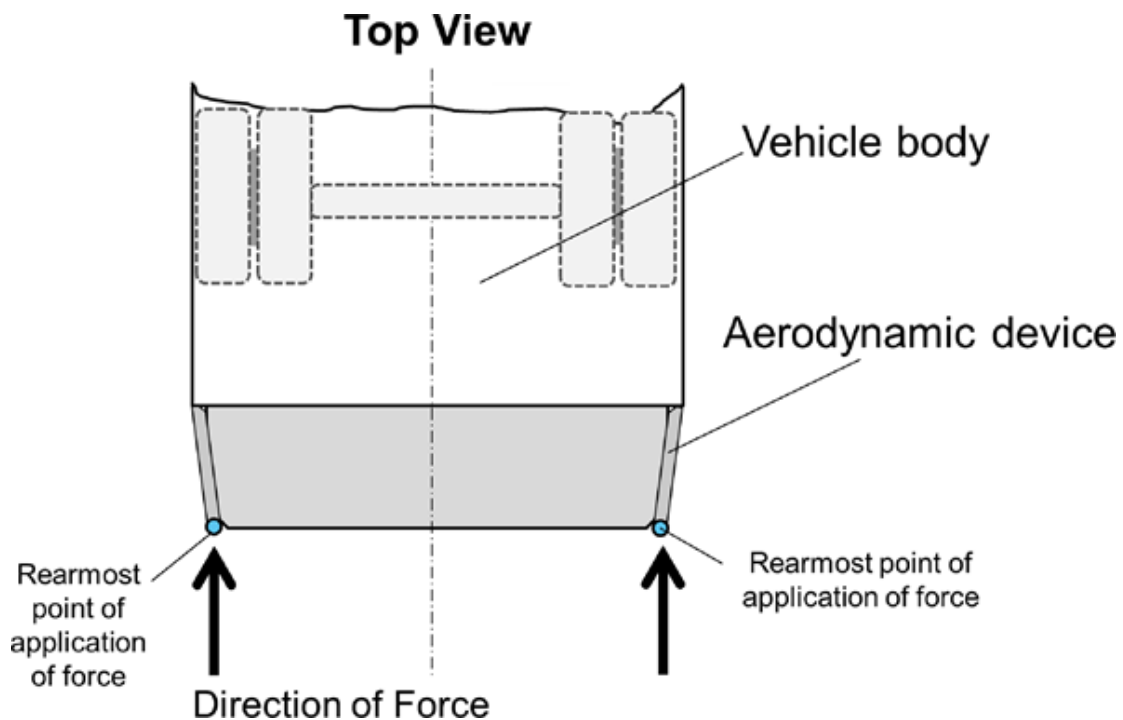
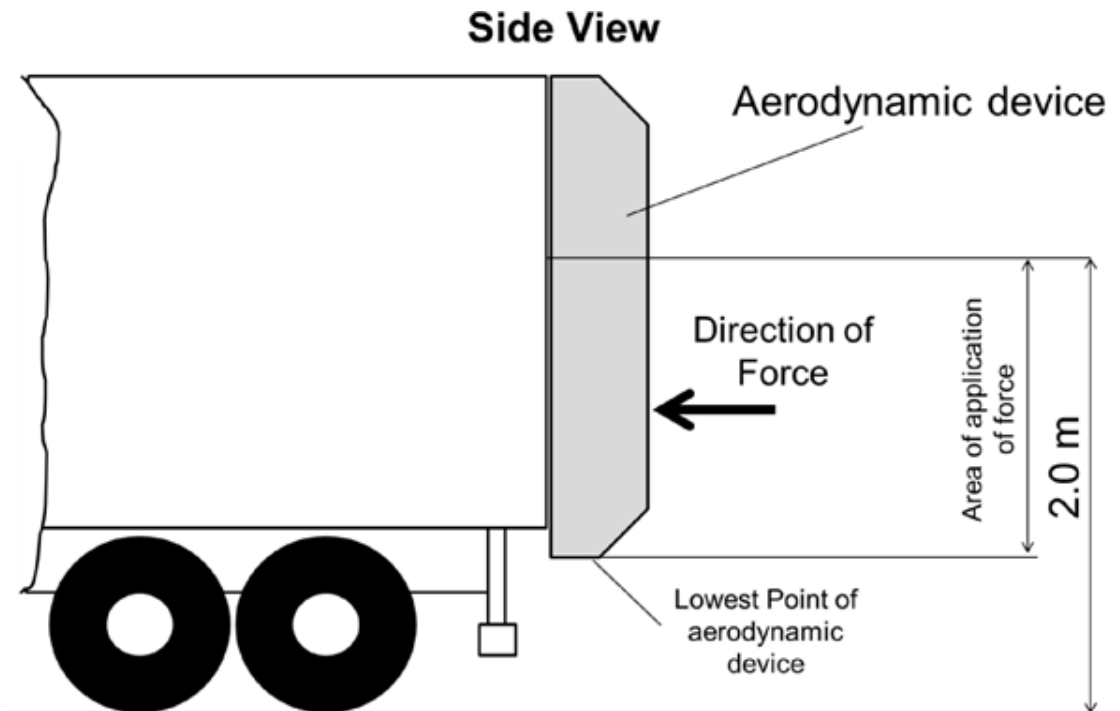
Part of the body of the vehicle
or rigid wall



- 1.5.1.2. A horizontal force of maximum $4\,000\text{ N} \pm 400\text{ N}$ shall be applied consecutively to two points situated symmetrically about the centre line of the vehicle or the centre line of the device on the rearmost outer edge of the aerodynamic device and equipment in completely unfolded or in-use position (see figure 3). The order in which the forces are applied may be specified by the manufacturer.

Figure 3 Force application

Changes to legislation: There are outstanding changes not yet made to Commission Regulation (EU) No 1230/2012. Any changes that have already been made to the legislation appear in the content and are referenced with annotations. (See end of Document for details) View outstanding changes



1.6. Requirements

- 1.6.1. The aerodynamic device and equipment shall be so fitted that, during the application of the test forces as specified in point 1.5.1.2., the device and equipment deforms, retracts or folds resulting in projection length of ≤ 200 mm measured in horizontal longitudinal direction at the points of application of the forces. The resulting projection length shall be recorded.

Changes to legislation: *There are outstanding changes not yet made to Commission Regulation (EU) No 1230/2012. Any changes that have already been made to the legislation appear in the content and are referenced with annotations. (See end of Document for details) [View outstanding changes](#)*

- 1.6.2. The aerodynamic device and equipment shall not endanger the occupants of other vehicles in a rear-end collision and shall not affect the operation of the rear underrun protection device.

Changes to legislation: There are outstanding changes not yet made to Commission Regulation (EU) No 1230/2012. Any changes that have already been made to the legislation appear in the content and are referenced with annotations. (See end of Document for details) View outstanding changes

Appendix 5

Three-dimensional cab envelope

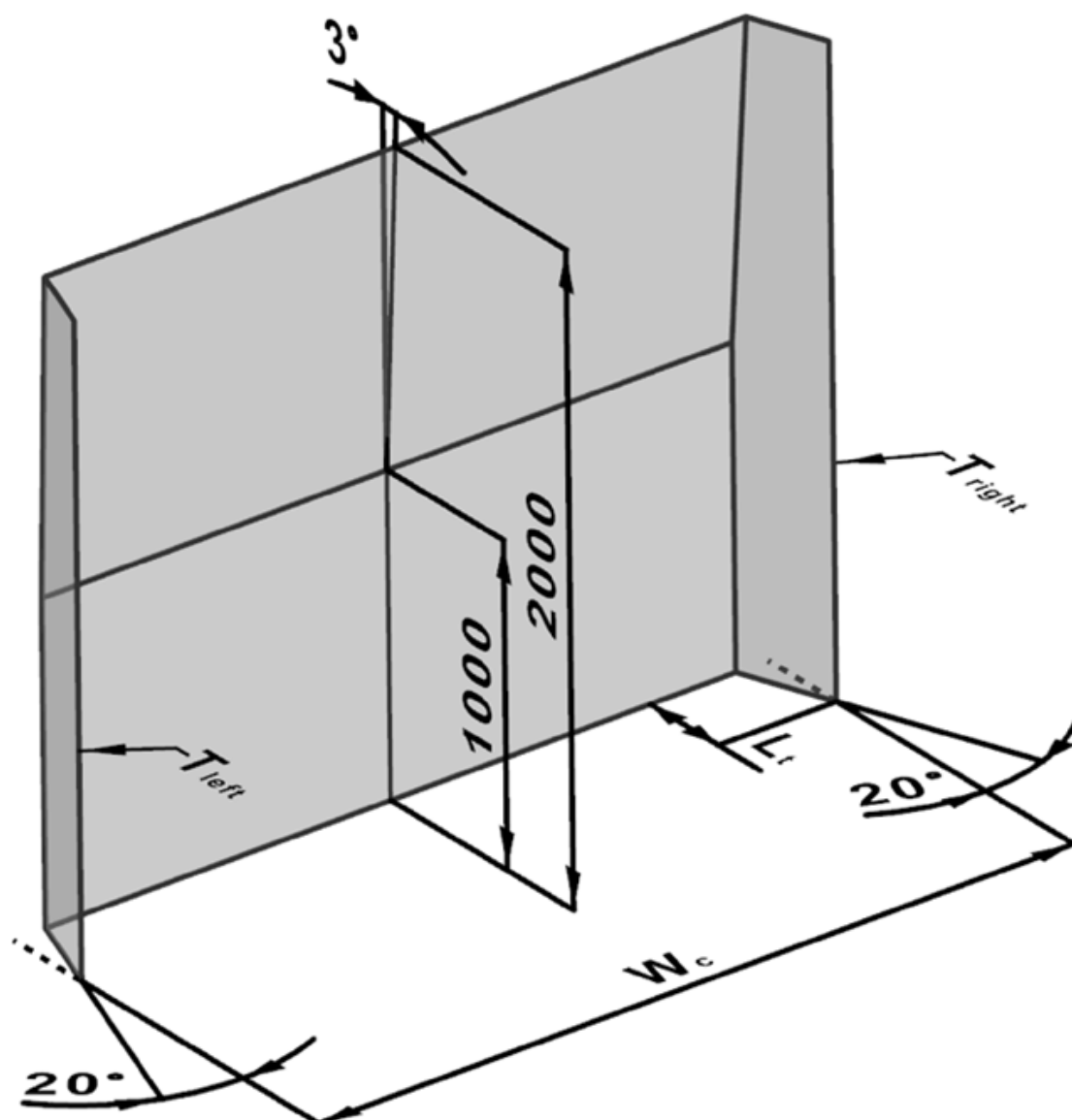
1. General procedure for the checking of conformity of the motor vehicle with the parameters relating to the three-dimensional cab envelope
 - 1.1. Vertical boundaries of the motor vehicle cab assessment zone
 - 1.1.1. The maximum width of the vehicle at cab location W_c shall be taken forward of the vertical transverse plane located at the foremost axle of the motor vehicle. The items listed in Appendix 1 shall not be taken into account for the purposes of this measurement.
 - 1.1.2. The assessment zone of the motor vehicle's cab location shall be considered in such a way that it corresponds with the maximum width W_c . The zone shall be bounded by vertical longitudinal planes that are parallel to the longitudinal median plane of the motor vehicle and that are distance W_c apart.
 - 1.1.3. The horizontal longitudinal distance L_t shall be established from the most forward point of the motor vehicle's cab location taken at a height $\leq 2\,000$ mm from the ground measured in unladen condition.

The distance L_t shall be set at 200 mm for the purpose of this assessment (see figure 1).

The rear side of the assessment zone shall be bounded by a vertical transverse plane, perpendicular to the longitudinal median plane of the motor vehicle, that is located rearward of the abovementioned most forward point by distance L_t .

Figure 1 3D envelope

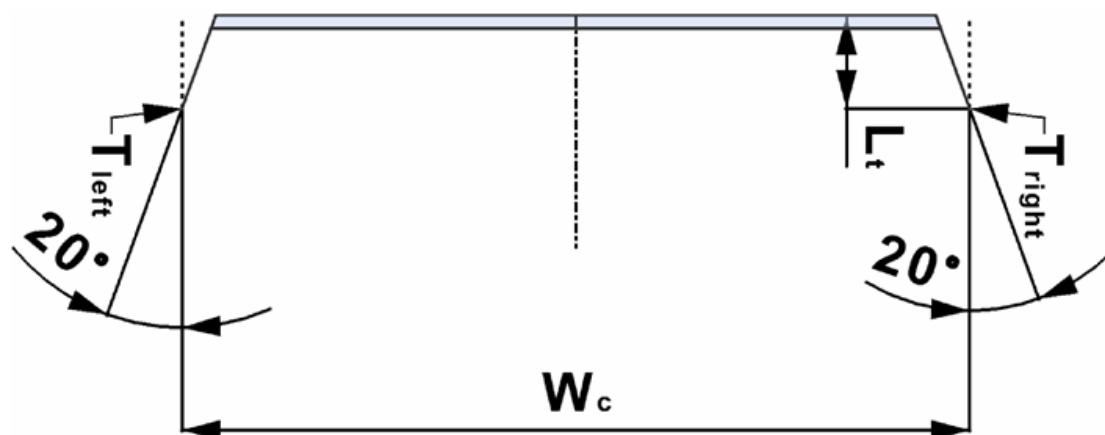
Changes to legislation: There are outstanding changes not yet made to Commission Regulation (EU) No 1230/2012. Any changes that have already been made to the legislation appear in the content and are referenced with annotations. (See end of Document for details) View outstanding changes



- 1.1.4. The intersections of the rear plane forming the side of the assessment zone with both angled outboard planes, lines T_{left} and T_{right} , shall be considered for the purpose of point 1.3.3.2. (see figure 2).

Figure 2 3D envelope

Changes to legislation: There are outstanding changes not yet made to Commission Regulation (EU) No 1230/2012. Any changes that have already been made to the legislation appear in the content and are referenced with annotations. (See end of Document for details) View outstanding changes



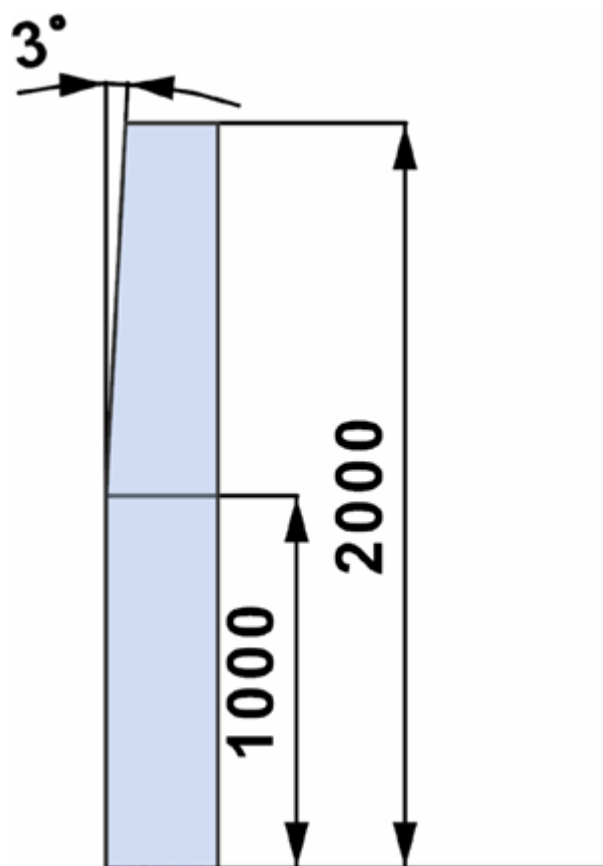
- 1.2. Horizontal boundaries of the motor vehicle cab assessment zone
 - 1.2.1. In the assessment zone, the lower front fascia boundary line shall be set at ground level and the upper front fascia boundary line shall be set at 2 000 mm above the ground as measured in unladen condition.
- 1.3. Specific provisions for the motor vehicle cab assessment zone
 - 1.3.1. For the purposes of this Appendix, the front fascia at the motor vehicle's cab location shall be considered, regardless of type of material. However, the items listed in Appendix 1 shall not be taken into account.
 - 1.3.2. Rake of the front of the cab
 - 1.3.2.1. For the purposes of this Appendix, 'rake' shall be considered, meaning the rearward inclination of the motor vehicle's front fascia at the cab location from the vertical, where any point located above another point lies rearward of that other point.
 - 1.3.2.2. For the assessment zone of the rake, the most forward point of the motor vehicle's cab location as referred to in point 1.1.3. shall be considered.

The vertical transverse plane through the most forward point of the cab, taken at a height of $\leq 2\,000$ mm from the ground measured in unladen condition, shall be considered as regards its intersection with the horizontal plane that is located at the height of 1 000 mm. The intersecting line shall then be taken as the base envelope line to assess the vehicle cab's rake in the given assessment zone.

- 1.3.2.3. A plane rotating around the base envelope line referred to in the second paragraph of point 1.3.2.2., inclined rearward from the vertical by 3° , shall be taken (see figure 3).

Figure 3 Rake

Changes to legislation: There are outstanding changes not yet made to Commission Regulation (EU) No 1230/2012. Any changes that have already been made to the legislation appear in the content and are referenced with annotations. (See end of Document for details) View outstanding changes



- 1.3.2.4. No point of the actual surface of the front fascia, as located in the assessment zone of the rake, shall lie forward of the rearward inclined plane referred to in point 1.3.2.3. when the most forward point of the motor vehicle's cab location touches the vertical transverse plane.
- 1.3.3. Tapering of the sides of the motor vehicle cab.
- 1.3.3.1. In the assessment zone of the motor vehicle's cab location, the front fascia shall be tapered in such a way that the relevant nominal surfaces generally converge towards a common area that lies forward of the cab and in the longitudinal median plane of the motor vehicle.
- 1.3.3.2. Two symmetrical vertical planes, one on the left side and one on the right side, shall be considered, both under a horizontal angle of 20° in relation to the longitudinal median plane and thus 40° apart. These planes are located in such a way that they also intersect with lines T_{left} and T_{right} referred to in point 1.1.3., respectively.
- 1.3.3.3. No point of the actual surface of the front fascia, as located in the left and right outboard zone, shall lie outward of the respective vertical plane referred to in point 1.3.3.2. with the most forward point of the motor vehicle's cab location touching the vertical transverse plane referred to in point 1.3.2.4.
2. If any of the conditions set out in this Appendix are not met, it shall be considered that the motor vehicle cab does not conform to parameters of the three-dimensional envelope as referred to in point 1.4.1. of Part C of this Annex.]

Changes to legislation: *There are outstanding changes not yet made to Commission Regulation (EU) No 1230/2012. Any changes that have already been made to the legislation appear in the content and are referenced with annotations. (See end of Document for details) [View outstanding changes](#)*

Changes to legislation: There are outstanding changes not yet made to Commission Regulation (EU) No 1230/2012. Any changes that have already been made to the legislation appear in the content and are referenced with annotations. (See end of Document for details) [View outstanding changes](#)

- (1) [OJ L 124, 13.5.2011, p. 11.](#)
- (2) [^{F1}[OJ L 326, 24.11.2006, p. 55.](#)]
- (3) [OJ L 122, 16.5.2009, p. 6.](#)

Textual Amendments

- F1** Substituted by [Commission Regulation \(EU\) 2019/1892 of 31 October 2019 amending Regulation \(EU\) No 1230/2012 as regards type-approval requirements for certain motor vehicles fitted with elongated cabs and for aerodynamic devices and equipment for motor vehicles and their trailers \(Text with EEA relevance\).](#)

Changes to legislation:

There are outstanding changes not yet made to Commission Regulation (EU) No 1230/2012. Any changes that have already been made to the legislation appear in the content and are referenced with annotations.

[View outstanding changes](#)

Changes and effects yet to be applied to :

- Annex 1 Pt. A point 1.1.3 omitted by [S.I. 2022/1273 reg. 72\(2\)\(a\)\(ii\)](#)
- Annex 1 Pt. A point 2.7.2.2 omitted by [S.I. 2022/1273 reg. 72\(2\)\(a\)\(iv\)](#)
- Annex 1 Pt. C point 1.1.3 omitted by [S.I. 2022/1273 reg. 72\(2\)\(c\)\(ii\)](#)
- Annex 1 Pt. D point 1.1.3 omitted by [S.I. 2022/1273 reg. 72\(2\)\(d\)\(ii\)](#)
- Annex 1 Pt. A point 1.1.3 omitted (temp.) by virtue of S.I. 2019/648, reg. A8(2)(a)(i) (with reg. 11) (as inserted) by [S.I. 2020/1393 reg. 2\(7\)](#)
- Annex 1 Pt. C point 1.1.3 omitted (temp.) by virtue of S.I. 2019/648, reg. A8(2)(c)(i) (with reg. 11) (as inserted) by [S.I. 2020/1393 reg. 2\(7\)](#)
- Annex 1 Pt. D point 1.1.3 omitted (temp.) by virtue of S.I. 2019/648, reg. A8(2)(d)(i) (with reg. 11) (as inserted) by [S.I. 2020/1393 reg. 2\(7\)](#)
- Annex 1 Pt. B point 2.1.3.2 word inserted by [S.I. 2022/1273 reg. 72\(2\)\(b\)\(iii\)\(cc\)](#)
- Annex 1 Pt. C point 1.4.2 word inserted by [S.I. 2022/1273 reg. 72\(2\)\(c\)\(iv\)\(bb\)](#)
- Annex 1 Pt. D point 1.3 word omitted (temp.) by virtue of S.I. 2019/648, reg. A8(2)(d)(iii) (with reg. 11) (as inserted) by [S.I. 2020/1393 reg. 2\(7\)](#)
- Annex 1 Pt. B point 2.1.3.2 words inserted by [S.I. 2022/1273 reg. 72\(2\)\(b\)\(iii\)\(dd\)](#)
- Annex 1 Pt. C point 1.4.2 words inserted by [S.I. 2022/1273 reg. 72\(2\)\(c\)\(iv\)\(cc\)](#)
- Annex 1 Pt. C point 2.1.4.2 words inserted by [S.I. 2022/1273 reg. 72\(2\)\(c\)\(vi\)\(cc\)](#)
- Annex 1 Pt. D point 1.3 words omitted by [S.I. 2022/1273 reg. 72\(2\)\(d\)\(iv\)](#)
- Annex 1 Pt. A point 1.1.2(c) words substituted by [S.I. 2022/1273 reg. 72\(2\)\(a\)\(i\)](#)
- Annex 1 Pt. A point 1.2 words substituted by [S.I. 2022/1273 reg. 72\(2\)\(a\)\(iii\)](#)
- Annex 1 Pt. A point 1.3 words substituted by [S.I. 2022/1273 reg. 72\(2\)\(a\)\(iii\)](#)
- Annex 1 Pt. A point 3.1.1.1(c) words substituted by [S.I. 2022/1273 reg. 72\(2\)\(a\)\(v\)](#)
- Annex 1 Pt. B point 1.1.3 words substituted by [S.I. 2022/1273 reg. 72\(2\)\(b\)\(i\)](#)
- Annex 1 Pt. B point 2.1.3.1 words substituted by [S.I. 2022/1273 reg. 72\(2\)\(b\)\(ii\)](#)
- Annex 1 Pt. B point 2.1.3.2 words substituted by [S.I. 2022/1273 reg. 72\(2\)\(b\)\(iii\)\(aa\)](#)
- Annex 1 Pt. B point 2.1.3.2 words substituted by [S.I. 2022/1273 reg. 72\(2\)\(b\)\(iii\)\(bb\)](#)
- Annex 1 Pt. B point 7.4 words substituted by [S.I. 2022/1273 reg. 72\(2\)\(b\)\(iv\)](#)
- Annex 1 Pt. B point 8.3 words substituted by [S.I. 2022/1273 reg. 72\(2\)\(b\)\(v\)](#)
- Annex 1 Pt. C point 1.1.2(b) words substituted by [S.I. 2022/1273 reg. 72\(2\)\(c\)\(i\)](#)
- Annex 1 Pt. C point 1.2 words substituted by [S.I. 2022/1273 reg. 72\(2\)\(c\)\(iii\)](#)
- Annex 1 Pt. C point 1.3 words substituted by [S.I. 2022/1273 reg. 72\(2\)\(c\)\(iii\)](#)
- Annex 1 Pt. C point 1.4.2 words substituted by [S.I. 2022/1273 reg. 72\(2\)\(c\)\(iv\)\(aa\)](#)
- Annex 1 Pt. C point 1.4.2 words substituted by [S.I. 2022/1273 reg. 72\(2\)\(c\)\(iv\)\(dd\)](#)
- Annex 1 Pt. C point 7.3 words substituted by [S.I. 2022/1273 reg. 72\(2\)\(c\)\(ix\)](#)
- Annex 1 Pt. C point 2.1.4.1 words substituted by [S.I. 2022/1273 reg. 72\(2\)\(c\)\(v\)](#)
- Annex 1 Pt. C point 2.1.4.2 words substituted by [S.I. 2022/1273 reg. 72\(2\)\(c\)\(vi\)\(aa\)](#)
- Annex 1 Pt. C point 2.1.4.2 words substituted by [S.I. 2022/1273 reg. 72\(2\)\(c\)\(vi\)\(bb\)](#)
- Annex 1 Pt. C point 4.2.1 words substituted by [S.I. 2022/1273 reg. 72\(2\)\(c\)\(vii\)](#)
- Annex 1 Pt. C point 6.4 words substituted by [S.I. 2022/1273 reg. 72\(2\)\(c\)\(viii\)](#)
- Annex 1 Pt. D point 1.1.2 words substituted by [S.I. 2022/1273 reg. 72\(2\)\(d\)\(i\)](#)
- Annex 1 Pt. D point 1.2 words substituted by [S.I. 2022/1273 reg. 72\(2\)\(d\)\(iii\)](#)
- Annex 1 Pt. D point 1.4 words substituted by [S.I. 2022/1273 reg. 72\(2\)\(d\)\(iii\)](#)
- Annex 1 Pt. A point 1.2 words substituted (temp.) by S.I. 2019/648, reg. A8(2)(a)(ii) (with reg. 11) (as inserted) by [S.I. 2020/1393 reg. 2\(7\)](#)
- Annex 1 Pt. A point 1.3 words substituted (temp.) by S.I. 2019/648, reg. A8(2)(a)(ii) (with reg. 11) (as inserted) by [S.I. 2020/1393 reg. 2\(7\)](#)
- Annex 1 Pt. B point 1.1.3 words substituted (temp.) by S.I. 2019/648, reg. A8(2)(b) (with reg. 11) (as inserted) by [S.I. 2020/1393 reg. 2\(7\)](#)

- Annex 1 Pt. C point 1.2 words substituted (temp.) by S.I. 2019/648, reg. A8(2)(c)(ii) (with reg. 11) (as inserted) by [S.I. 2020/1393 reg. 2\(7\)](#)
- Annex 1 Pt. C point 1.3 words substituted (temp.) by S.I. 2019/648, reg. A8(2)(c)(ii) (with reg. 11) (as inserted) by [S.I. 2020/1393 reg. 2\(7\)](#)
- Annex 1 Pt. D point 1.2 words substituted (temp.) by S.I. 2019/648, reg. A8(2)(d)(ii) (with reg. 11) (as inserted) by [S.I. 2020/1393 reg. 2\(7\)](#)
- Annex 1 Pt. D point 1.4 words substituted (temp.) by S.I. 2019/648, reg. A8(2)(d)(ii) (with reg. 11) (as inserted) by [S.I. 2020/1393 reg. 2\(7\)](#)

Changes and effects yet to be applied to the whole legislation item and associated provisions

- Signature words omitted by [S.I. 2022/1273 reg. 71\(10\)](#)
- Annex 5 Pt. B s. 1 words substituted by [S.I. 2022/1273 reg. 72\(4\)\(c\)\(iii\)](#)
- Annex 5 Pt. B s. 2 words substituted by [S.I. 2022/1273 reg. 72\(4\)\(c\)\(iv\)](#)
- Annex 5 Pt. D s. 1 words substituted by [S.I. 2022/1273 reg. 72\(4\)\(e\)\(iii\)](#)
- Annex 1 Appendix 2 point 2.1 words substituted by [S.I. 2022/1273 reg. 72\(2\)\(e\)\(i\)](#)
- Annex 1 Appendix 2 point 2.2 words substituted by [S.I. 2022/1273 reg. 72\(2\)\(e\)\(ii\)\(aa\)](#)
- Annex 1 Appendix 2 point 2.2(c) words substituted by [S.I. 2022/1273 reg. 72\(2\)\(e\)\(ii\)\(bb\)](#)
- Annex 1 Appendix 4 point 1.3 words substituted by [S.I. 2022/1273 reg. 72\(2\)\(f\)](#)
- Art. 2(1) words substituted by [S.I. 2022/1273 reg. 71\(3\)\(b\)](#)
- Art. 2(2) words substituted by [S.I. 2022/1273 reg. 71\(3\)\(c\)](#)
- Art. 2(11) words substituted by [S.I. 2022/1273 reg. 71\(3\)\(d\)](#)
- Art. 2(40) words substituted by [S.I. 2022/1273 reg. 71\(3\)\(e\)](#)
- Art. 6(1)(1a) substituted for Art. 6(1) by [S.I. 2022/1273 reg. 71\(8\)\(a\)](#)