

SCHEDULE 1

Regulation 2

CONTENTS

SECTION 1

INTERPRETATION

1. Interpretation

SECTION 2

APPLICATION AND COMPLIANCE

2. Application of Rules to aircraft
3. Permissions

SECTION 3

GENERAL RULES, COLLISION AVOIDANCE AND PROTECTION OF PERSONS AND PROPERTY

4. Aerobatic flights
5. Landing and taking off within congested areas and near open-air assemblies
6. Test flying over congested areas
7. Launching, picking up and dropping of tow ropes, etc.
8. Avoiding aerial collisions
9. Order of landing
10. Landing and take-off
11. Flight within aerodrome traffic zones
12. Movement of aircraft on uncontrolled aerodromes
13. Access to and movement of persons and vehicles on the aerodrome

SECTION 4

LIGHTS TO BE DISPLAYED BY AIRCRAFT

14. Stationary helicopters on offshore or renewable energy installations
15. Failure of anti-collision and navigation lights
16. Airships by day

SECTION 5

AERODROME VISUAL SIGNALS AND MARKINGS

17. Aerodrome Visual Signals and Markings
18. Misuse of signals and markings
19. Markings for paved runways and taxiways
20. Supplementary markings for use on unpaved manoeuvring areas
21. Signals visible from the ground

Status: This is the original version (as it was originally made). This item of legislation is currently only available in its original format.

SECTION 6

VISUAL METEOROLOGICAL CONDITIONS, VISUAL FLIGHT RULES, SPECIAL VFR AND INSTRUMENT FLIGHT RULES

22. Classification of airspaces and rules for flight
 23. Flight in Class C airspace in VMC
 24. Use of radio navigation aids
 25. Air traffic control clearance for flights by aircraft without radio equipment
- Signature
Explanatory Note

SECTION 1

INTERPRETATION

Interpretation

1.—(1) In these Rules “anti-collision light” means—

- (a) in relation to rotorcraft, a flashing red light; and
- (b) in relation to any other aircraft, a flashing red or flashing white light,

in either case showing in all directions.

(2) Subject to paragraph (3), terms used in these Rules which are defined in article 2 of the Standardised European Rules of the Air Regulation⁽¹⁾ have the same meaning as given in that article.

(3) The term “aerodrome traffic zone” has the same meaning as given in article 258 of the Air Navigation Order 2009⁽²⁾.

(4) References in these Rules to “SERA” followed by a number refer to the provision with the corresponding number in SERA⁽³⁾.

SECTION 2

APPLICATION AND COMPLIANCE

Application of Rules to aircraft

2. Subject to rule 6 and to articles 160(3) and 252(1) of the Air Navigation Order 2009 and insofar as these Rules apply to aircraft they apply—

- (a) to all aircraft within the United Kingdom; and
- (b) to all aircraft registered in the United Kingdom, wherever they may be⁽⁴⁾.

(1) Commission Implementing Regulation (EU) No. 923/2012 of the European Parliament and of the Council of 26 September 2012 laying down the common rules of the air and operational provisions regarding services and procedures in air navigation and amending Implementing Regulation (EU) No 1035/2011 and Regulations (EC) No 1265/2007, (EC) No 1794/2006, (EC) No 730/2006, (EC) No 1033/2006 and (EU) No 255/2010 (O.J. No.L281 of 13.10.2012, p.1).

(2) S.I. 2009/3015. Article 160(3) was amended by S.I. 2014/3302. There are other amendments to the Order but none is relevant.

(3) The definition of the term “SERA” was inserted into article 255(1) of the Air Navigation Order 2009 by article 76 of S.I. 2014/3302 and means the Annex to the Standardised European Rules of the Air Regulation.

(4) Article 160(3) of the Air Navigation Order 2009 provides that it is lawful for any of the Rules of the Air to be departed from to the extent necessary for avoiding immediate danger, complying with the law of any country other than the United Kingdom within which the aircraft then is or for complying with Military Flying Regulations or Flying Orders to Contractors issued by the Secretary of State. Article 252(1) of the Air Navigation Order 2009 provides that nothing in the Order applies to military aircraft apart from certain specified articles, including article 160(1)(a). A “military aircraft” is defined in article 255(1) of the Air Navigation Order 2009.

Permissions

3. Wherever in these Rules there is provision for a permission to be granted by the CAA(5) for the purposes of a rule, it may be granted—

- (a) in respect of classes of aircraft, persons or vehicles generally or in respect of any particular aircraft, person or vehicle or class of aircraft, person or vehicle; and
- (b) subject to such conditions as the CAA thinks fit.

SECTION 3

GENERAL RULES, COLLISION AVOIDANCE AND PROTECTION OF PERSONS AND PROPERTY

Aerobatic flights

4. Aerobatic flight is not permitted—

- (a) over the congested area of any city, town or settlement; or
- (b) within notified controlled airspace(6) other than with the consent of the air traffic control unit notified as serving that airspace.

Landing and taking off within congested areas and near open-air assemblies

5.—(1) An aircraft must not take off or land within a congested area of any city, town or settlement except—

- (a) at an aerodrome in accordance with procedures notified by the CAA; or
- (b) at a landing site which is not an aerodrome in accordance with the permission of the CAA.

(2) An aircraft must not land or take-off within 1,000 metres of an open-air assembly of more than 1,000 persons except—

- (a) at an aerodrome in accordance with procedures notified by the CAA; or
- (b) at a landing site which is not an aerodrome in accordance with procedures notified by the CAA and with the written permission of the organiser of the assembly.

Test flying over congested areas

6.—(1) Subject to paragraph (2), an aircraft to which this rule applies must not fly over a congested area of any city, town or settlement other than to the extent necessary in order to take off or land in accordance with normal aviation practice.

(2) Paragraph (1) does not apply if the CAA has given its written permission for the flight over the congested area.

(3) This rule applies to an aircraft that—

- (a) does not have a valid certificate of airworthiness in force; and
- (b) is flying for the purpose of—
 - (i) experimenting with or testing—
 - (aa) the aircraft; or

(5) The CAA is a body corporate, called the Civil Aviation Authority, constituted under section 2 of the Civil Aviation Act 1982 (c.16). Section 2 is amended by section 95 of the Civil Aviation Act 2012 (c.19).

(6) “Notified” and “controlled airspace” are defined in article 255(1) of the Air Navigation Order 2009. The classification of airspace in the United Kingdom is notified in the Aeronautical Information Publication which is published by the CAA.

Status: This is the original version (as it was originally made). This item of legislation is currently only available in its original format.

- (bb) any engines or equipment installed or carried in the aircraft; or
- (ii) enabling the aircraft to qualify for—
 - (aa) the issue or validation of a certificate of airworthiness;
 - (bb) the approval of a modification of the aircraft; or
 - (cc) the issue of a permit to fly.

Launching, picking up and dropping of tow ropes, etc.

7.—(1) An aircraft must not take off from an aerodrome with tow ropes, banners or similar articles towed by it except in accordance with arrangements made with the air traffic control unit at the aerodrome or, if there is no such unit, the person in charge of the aerodrome.

(2) Tow ropes, banners or similar articles towed by aircraft must not be picked up by, or dropped from, an aircraft at an aerodrome except—

- (a) in accordance with arrangements made with the air traffic control unit at the aerodrome or, if there is no such unit, with the person in charge of the aerodrome; or
- (b) in the area designated by the marking described in rule 20(7), but only when the aircraft is flying in the direction appropriate for landing.

Avoiding aerial collisions

8. For the purposes of SERA.3201, SERA.3205 and SERA.3210 a glider and a flying machine which is towing it are to be considered to be a single aircraft under the command of the commander of the flying machine.

Order of landing

9.—(1) If an air traffic control unit has communicated to any aircraft an order of priority for landing, the aircraft must approach to land in that order.

(2) If the commander of an aircraft which has previously been given permission to land gives way to another aircraft that is making an emergency landing at night, that commander must not attempt to land until the commander has received further permission to do so.

Landing and take-off

10.—(1) Subject to paragraph (4), a flying machine or glider must not land on a runway at an aerodrome if there are other aircraft on the runway.

(2) If take-offs and landings are not confined to a runway—

- (a) when landing, a flying machine or glider must leave clear on its left any aircraft which has landed, is already landing or is about to take off;
- (b) a flying machine or glider which is about to turn must turn to the left if the commander of the aircraft is satisfied that such action will not interfere with other traffic movements; and
- (c) a flying machine which is about to take off must take up position and manoeuvre in such a way as to leave clear on its left any aircraft which has already taken off or is about to take off.

(3) Subject to paragraph (4), a flying machine must move clear of the landing area as soon as it is possible to do so after landing.

(4) Paragraphs (1) and (3) do not apply if the air traffic control unit at the aerodrome otherwise authorises the flying machine or glider.

Flight within aerodrome traffic zones

11.—(1) This rule applies in relation to such aerodromes described in Column 1 of Table 1 as are notified for the purposes of this rule and at such times as are specified in Column 2 of the Table.

Table 1

<i>Table Column 1</i>	<i>Column 2</i>
(a) A Government aerodrome.	At such times as are notified.
(b) An aerodrome having an air traffic control unit or flight information service centre.	During the notified hours of watch of the air traffic control unit or the flight information service centre.
(c) A national licensed aerodrome or an EASA certificated aerodrome having an air/ground communications service unit with aircraft.	During the notified hours of watch of the air/ground communications service unit.

(2) An aircraft must not fly, take off or land within the aerodrome traffic zone of an aerodrome unless the commander of the aircraft has complied with paragraphs (3), (4) or (5), as appropriate.

(3) If the aerodrome has an air traffic control unit the commander must obtain the permission of that unit to enable the flight to be conducted safely within the aerodrome traffic zone.

(4) If the aerodrome provides a flight information service the commander must obtain information from the flight information centre to enable the flight to be conducted safely within the aerodrome traffic zone.

(5) If there is no flight information centre at the aerodrome the commander must obtain information from the air/ground communication service to enable the flight to be conducted safely within the aerodrome traffic zone.

(6) The commander of an aircraft flying within the aerodrome traffic zone of an aerodrome must—

- (a) cause a continuous watch to be maintained on the appropriate radio frequency notified for communications at the aerodrome; or
- (b) if this is not possible, cause a watch to be kept for such instructions as may be issued by visual means; and
- (c) if the aircraft is fitted with means of communication by radio with the ground, communicate the aircraft’s position and height to the air traffic control unit, the flight information centre or the air/ground communications service unit at the aerodrome (as the case may be) on entering the aerodrome traffic zone and immediately prior to leaving it.

Movement of aircraft on uncontrolled aerodromes

12.—(1) An aircraft must not taxi on the apron or the manoeuvring area of an uncontrolled aerodrome without the permission of either—

- (a) the person in charge of the aerodrome; or
- (b) the flight information centre notified as being on watch at the aerodrome.

(2) In this rule “uncontrolled aerodrome” means an aerodrome at which no air traffic control service is provided to aerodrome traffic regardless of whether or not an air traffic zone exists.

Access to and movement of persons and vehicles on the aerodrome

13.—(1) Unless there is a public right of way over it, a person or vehicle must—

Status: This is the original version (as it was originally made). This item of legislation is currently only available in its original format.

- (a) not go onto any part of an aerodrome without the permission of the person in charge of that part of the aerodrome; and
 - (b) comply with any conditions subject to which that permission may be granted.
- (2) A person or vehicle must—
- (a) not go onto or move on the manoeuvring area of an aerodrome which provides an air traffic control service or a flight information service without the permission of the person providing that service; and
 - (b) comply with any conditions subject to which that permission may be granted.

SECTION 4

LIGHTS TO BE DISPLAYED BY AIRCRAFT

Stationary helicopters on offshore or renewable energy installations

14. Notwithstanding SERA.3215 a helicopter may, when stationary on an offshore or renewable energy installation, switch off the red anti-collision light as long as that is done in accordance with a procedure contained in the operations manual of the helicopter operator as a signal to ground personnel that it is safe to approach the helicopter for the purpose of embarkation or disembarkation of passengers or the loading or unloading of cargo.

Failure of anti-collision and navigation lights

15.—(1) If any light required to be displayed by SERA.3215 fails during flight at night and cannot be immediately repaired or replaced, the aircraft must land as soon as it can safely do so, unless authorised by the appropriate air traffic control unit to continue its flight.

(2) An aircraft may continue to fly during the day in the event of a failure of an anti-collision light provided the light is repaired at the earliest practicable opportunity.

Airships by day

16.—(1) An airship flying during the day in any of the circumstances referred to in paragraph (2) must display two black balls suspended below the control car so that one is at least 4 metres above the other and at least 8 metres below the control car.

- (2) The circumstances are that—
- (a) the airship is not under command;
 - (b) the airship has voluntarily stopped its engines; or
 - (c) the airship is being towed.

(3) For the purposes of this rule an airship is not under command when it is unable to execute a manoeuvre which it may be required to execute by these Rules.

SECTION 5

AERODROME VISUAL SIGNALS AND MARKINGS

Aerodrome Visual Signals and Markings

17. Within the United Kingdom any signal or marking which is specified in these Rules and which is given or displayed—

- (a) by any person in an aircraft;

Status: This is the original version (as it was originally made). This item of legislation is currently only available in its original format.

- (b) at an aerodrome; or
- (c) at any other place which is being used by aircraft for landing or take-off,

has the meaning assigned to it by this section.

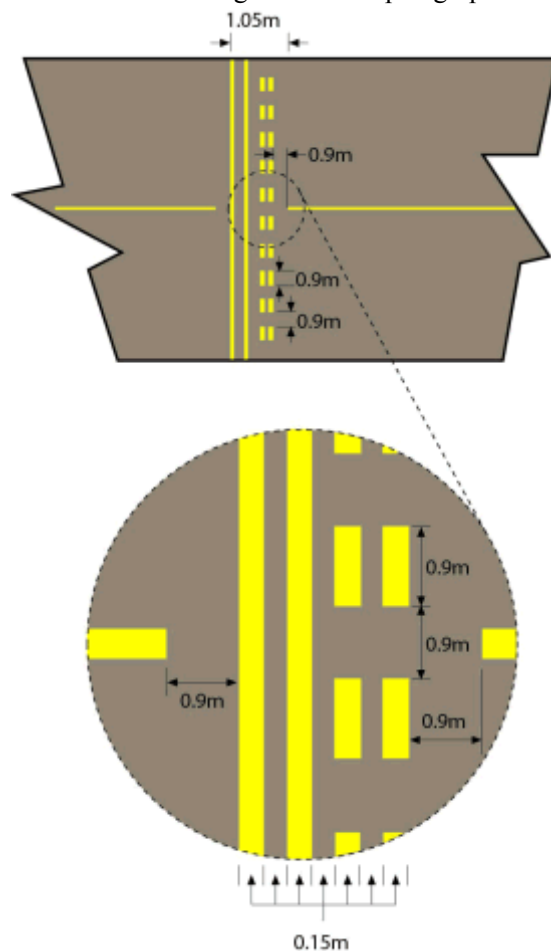
Misuse of signals and markings

18. A person in an aircraft or on an aerodrome or at any place at which an aircraft is taking off or landing must not—

- (a) make any signal which may be confused with a signal specified in SERA.3301 and Appendix 1 to SERA; or
- (b) except with lawful authority, make any signal which the person knows or ought reasonably to know to be a signal in use for signalling to or from any of Her Majesty's naval, military or air force aircraft.

Markings for paved runways and taxiways

19.—(1) Subject to paragraph (2), two yellow broken lines and two yellow continuous lines, as illustrated in the diagrams in this paragraph—

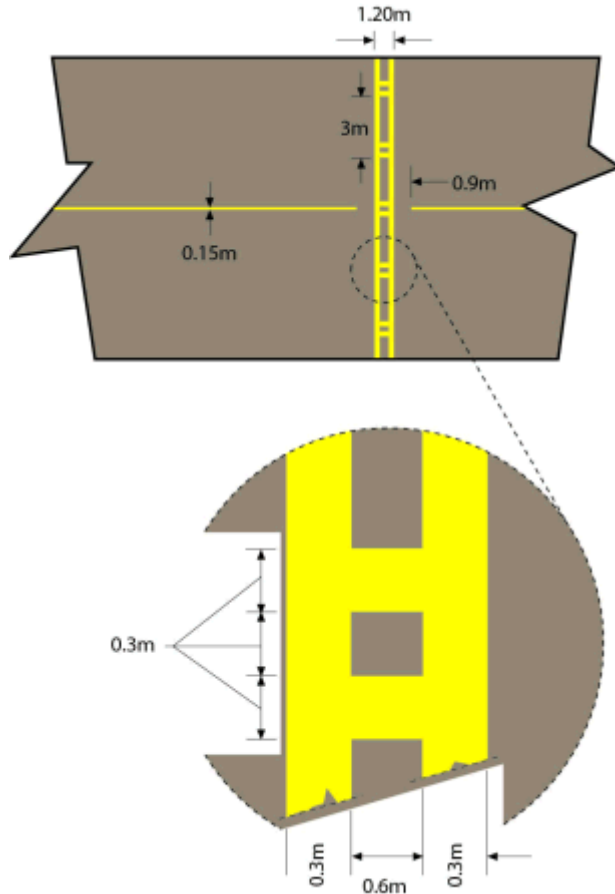


signify the designated visual holding position associated with a runway beyond which no part of a flying machine or vehicle must project in the direction of the runway without permission from the air traffic control unit at the aerodrome during the notified hours of watch of that unit.

Status: This is the original version (as it was originally made). This item of legislation is currently only available in its original format.

(2) Outside the notified hours of watch of that unit or where there is no air traffic control unit at the aerodrome the markings referred to in paragraph (1) signify the position closest to the runway beyond which no part of a flying machine or vehicle must project in the direction of the runway when the flying machine or vehicle is required to give way to aircraft which are taking off from or landing on that runway.

(3) Subject to paragraph (4), a marking, consisting of two yellow, parallel perpendicular lines intersected by horizontal yellow lines, as illustrated in the diagrams in this paragraph—

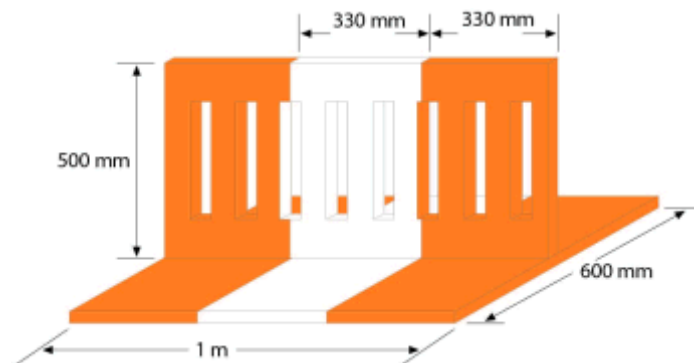


signifies a holding position other than that closest to the runway beyond which no part of a flying machine or vehicle must project in the direction of the runway without permission from the air traffic control unit at the aerodrome during the notified hours of watch of that unit.

(4) Outside the notified hours of watch of that unit or where there is no air traffic control unit at the aerodrome the marking referred to in paragraph (3) may be disregarded.

(5) Orange and white markers spaced not more than 15 metres apart, as illustrated in the diagram in this paragraph—

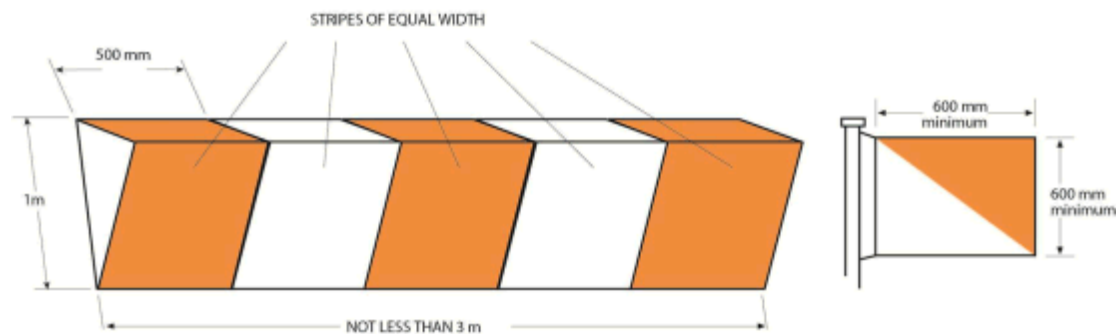
Status: This is the original version (as it was originally made). This item of legislation is currently only available in its original format.



signify the boundary of that part of a paved runway, taxiway or apron which is unfit for the movement of aircraft.

Supplementary markings for use on unpaved manoeuvring areas

20.—(1) Markers with orange and white stripes of an equal width of 50 centimetres, with an orange stripe at each end, alternating with flags 60 centimetres square showing equal orange and white triangular areas, spaced not more than 90 metres apart, as illustrated in the diagram in this paragraph—

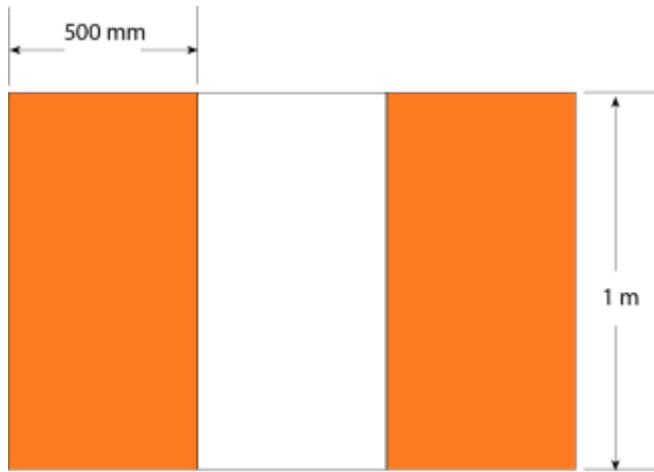


indicate the boundary of an area unfit for the movement of aircraft.

(2) Striped markers, as specified in paragraph (1), spaced not more than 45 metres apart, indicate the boundary of an aerodrome.

(3) On structures markers with orange and white vertical stripes, of an equal width of 50 centimetres, with an orange stripe at each end, spaced not more than 45 metres apart, as illustrated in the diagram in this paragraph—

Status: This is the original version (as it was originally made). This item of legislation is currently only available in its original format.



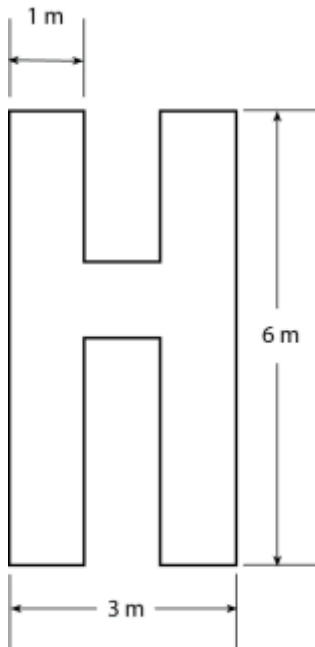
ORANGE WHITE ORANGE

indicate the boundary of an aerodrome.

(4) The pattern of the marker referred to in sub-paragraph (3) must be visible from inside and outside the aerodrome and the marker must be affixed not more than 15 centimetres from the top of the structure.

(5) White, flat, rectangular markers 3 metres long and 1 metre wide, at intervals not exceeding 90 metres, flush with the surface of an unpaved runway or stopway, indicate the boundary of the unpaved runway or stopway.

(6) A white letter H, as illustrated in the diagram in this paragraph—



indicates an area which must be used only for the taking off and landing of helicopters.

(7) A yellow cross with two arms each 6 metres long by 1 metre wide at right angles, indicates that tow ropes, banners and similar articles towed by aircraft must only be picked up and dropped in the area in which the cross is placed.

Status: This is the original version (as it was originally made). This item of legislation is currently only available in its original format.

(8) A white letter ‘T’, as specified in SERA, Appendix 1, paragraph 3.2.5.1, placed at the left-hand side of a runway (when viewed from the direction of landing), also indicates the runway to be used for take-off and landing.

Signals visible from the ground

21. Black, Arabic numerals in two-figure groups and, where parallel runways are provided, the letter or letters L (left), LC (left centre), C (centre), RC (right centre) and R (right), placed against a yellow background, indicate the direction for take-off or the runway in use.

SECTION 6

VISUAL METEOROLOGICAL CONDITIONS, VISUAL FLIGHT RULES, SPECIAL VFR AND INSTRUMENT FLIGHT RULES

Classification of airspaces and rules for flight

22. Subject to rule 23, all aircraft must be flown in accordance with the requirements for flight in airspace that have been notified in accordance with the airspace classifications and flight rules specified in SERA.6001 and in Appendix 4 of SERA.

Flight in Class C airspace in VMC

23.—(1) Subject to paragraph (2), an aircraft flying in visual meteorological conditions—

- (a) in Class C airspace above flight level 195; or
- (b) along a Class C ATS route at any level,

must be flown in accordance with the instrument flight rules⁽⁷⁾.

(2) Paragraph (1) does not apply to an aircraft which is flying in accordance with a permission issued by the CAA.

(3) In this rule “Class C ATS route” means a route notified as such.

Use of radio navigation aids

24.—(1) Subject to paragraph (2), the commander of an aircraft must not make use of a radio navigation aid without complying with such restrictions and procedures as may be notified in relation to that aid.

(2) The commander of an aircraft is not required to comply with this rule if—

- (a) the aircraft is required to comply with an air traffic control clearance issued for the flight; or
- (b) the commander is otherwise authorised by an air traffic control unit.

Air traffic control clearance for flights by aircraft without radio equipment

25.—(1) An aircraft without radio equipment must not fly in Class B, Class C or Class D airspace during the notified hours of watch of the appropriate air traffic control unit unless it has been authorised to do so by that unit and complies with the conditions in paragraph (3).

(2) An aircraft without radio equipment and flown in accordance with the instrument flight rules must not fly in Class E airspace during the notified hours of watch of that unit unless it has been authorised to do so by the unit and complies with the conditions in paragraph (3).

(7) The instrument flight rules are prescribed by section 5 of SERA.

Status: This is the original version (as it was originally made). This item of legislation is currently only available in its original format.

- (3) The conditions are that the aircraft must—
- (a) only fly during the day;
 - (b) only fly within controlled airspace notified for the purpose of this paragraph;
 - (c) remain at least 1,500 metres horizontally and 1,000 feet vertically away from cloud and in a flight visibility of at least 5 km; and
 - (d) comply with any conditions or requirements specified by the appropriate air traffic control unit.

SCHEDULE 2

Regulation 4

Revocations

<i>Regulations revoked</i>	<i>Reference</i>
The Rules of the Air Regulations 2007	S.I. 2007/734
The Rules of the Air (Amendment) Regulations 2007	S.I. 2007/1371
The Rules of the Air (Amendment) Regulations 2008	S.I. 2008/669
The Rules of the Air (Amendment) Regulations 2009	S.I. 2009/2169
The Rules of the Air (Amendment) Regulations 2010	S.I. 2010/841